



HANGERS | CLAMPS | ACCESSORIES

PROUD TO SUPPORT YOU WITH QUALITY & TRUST.

We are proud to present you with our new Piers Hangers, Clamps and Accessories Catalog.

Piers is a leading manufacturer of a broad range of pipe hangers, supports and related accessory products, for use in the plumbing, HVAC, fire protection and related industries. All Piers products are manufactured to meet or exceed industry standards. Many of Piers' products are (UL) Underwriters Laboratory listed and meet (FM) Factory Mutual approvals. Piers offers a number of protective coatings and finishes for our entire line of products. Our material, finish and coating combinations are formulated to maximize vibration, abrasion, corrosion and electrical resistance.

Our Network of modern distribution centers in Texas, New Jersey and Illinois allow us to better serve our customers by providing shorter shipping times and increased inventory, while reducing costs. Our vast product offering provides our customers access to the most complete pipe support line in the industry.

We appreciate the opportunity to be at your assistance and serve your needs.








Notice: Piers reserves the right to change the specifications, materials, pricing, pack quantity and availability at any time without prior notice. While every effort has been made to assure accuracy of information contained in this catalog, Piers is not responsible for undetected errors or omissions.

Warning: Piers products are manufactured and intended for use according to industry standards. Customers should exercise care and caution to use and install these products properly according to specifications and industry standards as to avoid potential accidents. Products should never be used for unintended purposes.



Copyright © Piers Manufacturing Inc.






PIPE HANGERS

	CLEVIS HANGERS	Pg. 12-18
	SWIVEL HANGERS	Pg. 19-21
	ROLLER HANGERS	Pg. 22-23
	SPLIT RING HANGERS	Pg. 24-25
	DWV HANGERS	Pg. 26
	BELL HANGERS	Pg. 26
	U-BOLTS	Pg. 27
	CPVC 2 HOLE STRAPS	Pg. 28
	CPVC WRAP AROUND STRAPS	Pg. 28
	CPVC STAND OFF STRAPS	Pg. 29
	CPVC SIDE MOUNTED STRAPS	Pg. 29
	RISER CLAMPS	Pg. 30-33
	STRUT & CONDUIT CLAMPS	Pg. 34-38




BEAM CLAMPS

	BEAM CLAMPS	Pg. 36
	C CLAMPS	Pg. 37
	PURLIN CLAMPS	Pg. 37

CEILING & BEAM SUPPORTS

	CEILING FLANGES	Pg. 38
	SIDE BEAM CONNECTORS	Pg. 39
	ANGLE BRACKETS	Pg. 39


RODS, STRUTS & ROOF BLOCKS

	STRUT CHANNELS	Pg. 41
	THREADED RODS	Pg. 42
	ROOFTOP SUPPORT BLOCK	Pg. 40











FASTENERS & ACCESSORIES

	LONG SPRING CHANNEL NUTS	Pg. 43
	ROD COUPLINGS	Pg. 44
	DROP IN ANCHORS	Pg. 44
	EXPANSION SHIELDS	Pg. 44
	HEX BOLTS	Pg. 46
	HEX NUTS	Pg. 47
	WASHERS	Pg. 47
	COACH SCREWS	Pg. 45
	LAG SCREW RODS	Pg. 45

PROTECTIVE PLATES & GUARDS

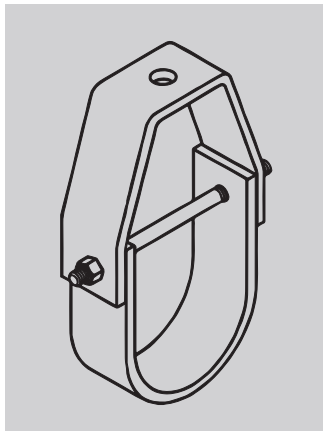
	STUD SHOES	Pg. 56
	BOCA PLATES	Pg. 67
	PLATE STRAPS	Pg. 63-67
	STUD GUARDS	Pg. 54-56

PIPE ACCESSORIES

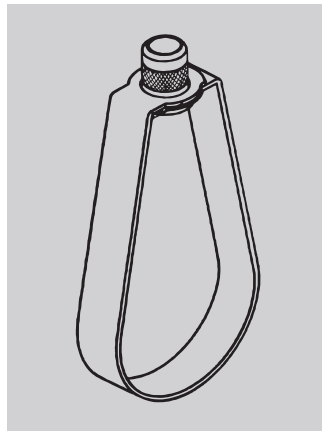
	HANGER STRAPS	Pg. 49-52
	DUCT STRAPPING	Pg. 48
	COPPER STUB BRACKET	Pg. 48
	DUCT HANGERS	Pg. 53
	PIPE HOOKS	Pg. 57-58
	PIPE STRAPS	Pg. 59-61
	FLATE TUBE NAILER	Pg. 62
	CLAMPS WITH NAIL	Pg. 68
	PIPE CLAMPS	Pg. 69
	TUB HANGER	Pg. 53



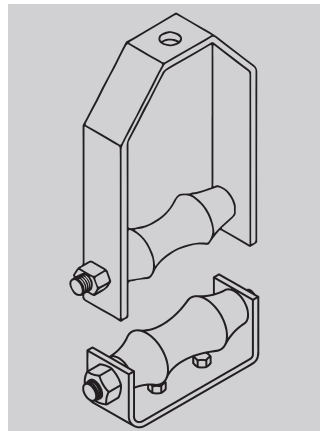
PICTORIAL INDEX



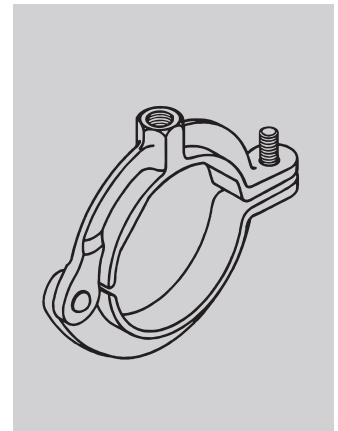
CLEVIS HANGERS
pages 12-18



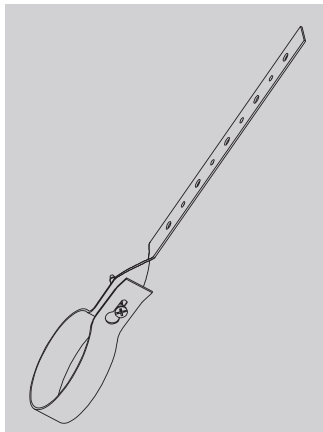
SWIVEL HANGERS
pages 19-21



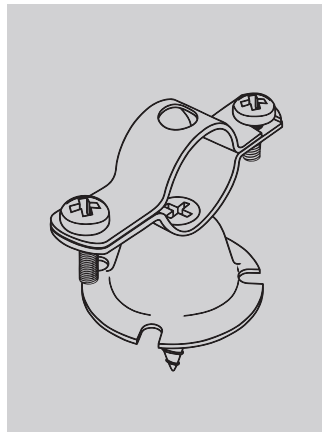
ROLLER HANGERS
page 22-23



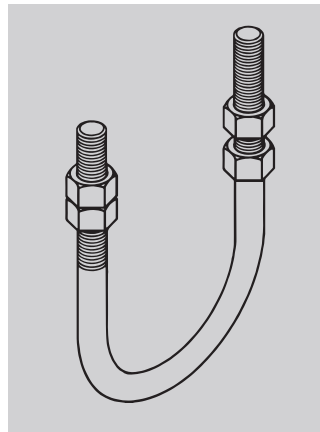
SPLIT RING HANGERS
page 24-25



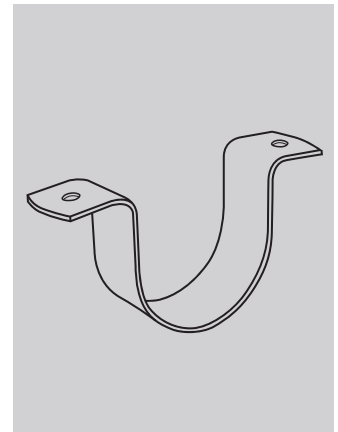
DWV HANGERS
page 26



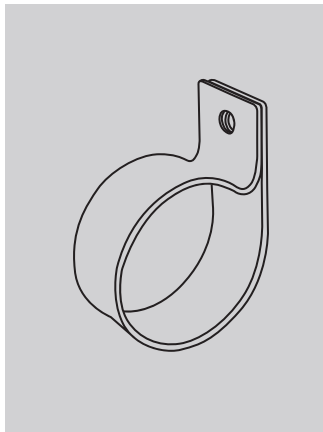
BELL HANGERS
page 26



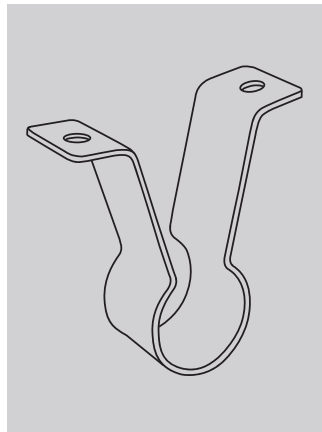
U BOLTS
page 27



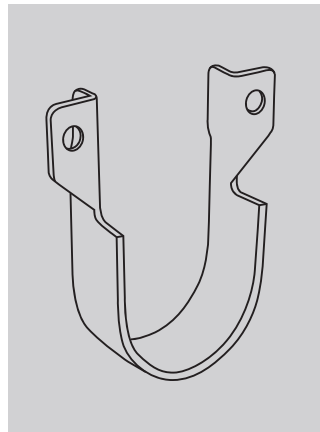
CPVC 2 HOLE STRAPS
page 28



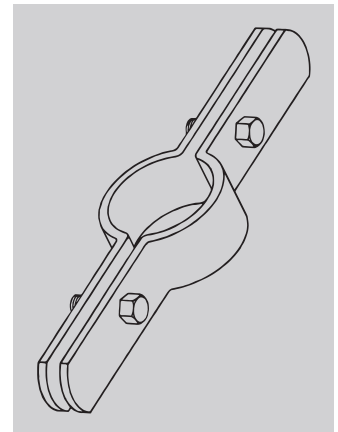
CPVC WRAP AROUND STRAPS
page 28



CPVC STAND OFF STRAPS
page 29



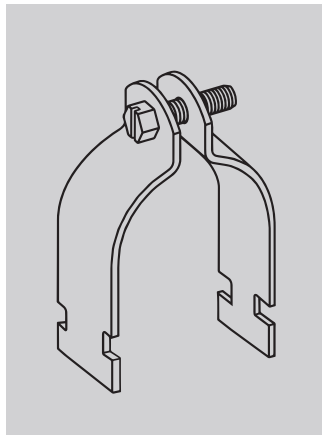
CPVC SIDE MOUNT STRAPS
page 29



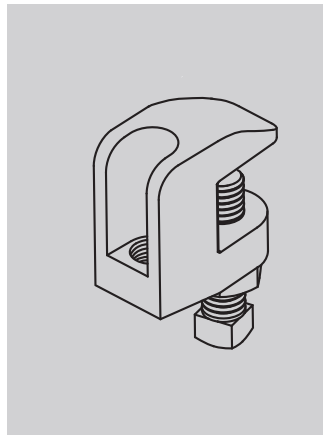
RISER CLAMP
pages 30-33



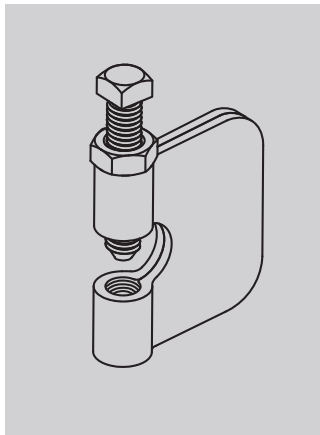
PICTORIAL INDEX



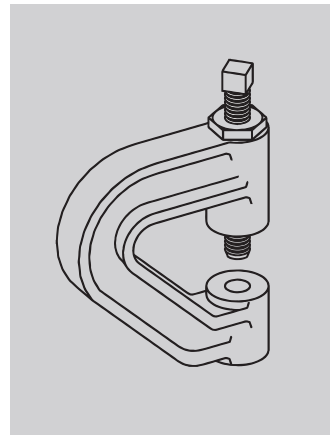
STRUT & CONDUIT CLAMPS
pages 34-38 



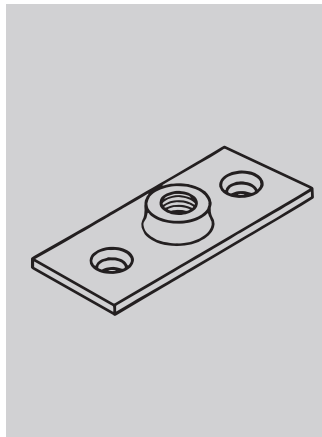
BEAM CLAMPS
page 36 



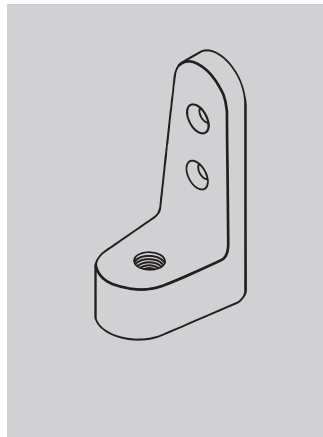
C CLAMPS
page 37 



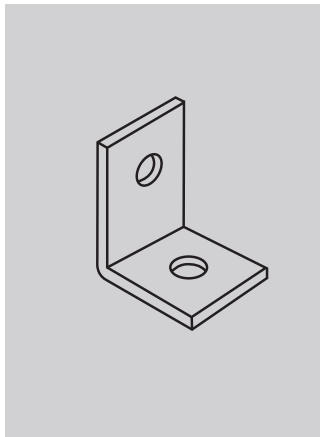
PURLIN CLAMPS
page 37 



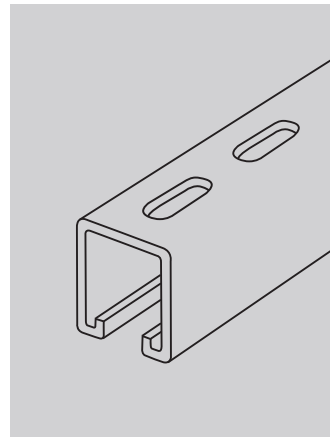
CEILING FLANGES
page 38 



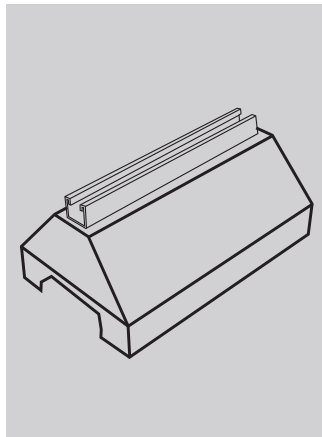
BEAM CONNECTORS
page 38 



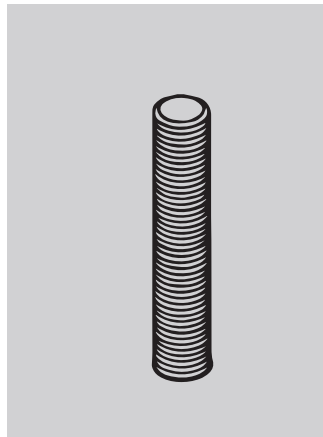
ANGLE BRACKETS
page 38 



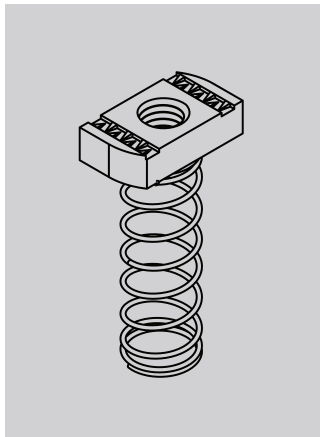
METAL STRUTS
page 41 



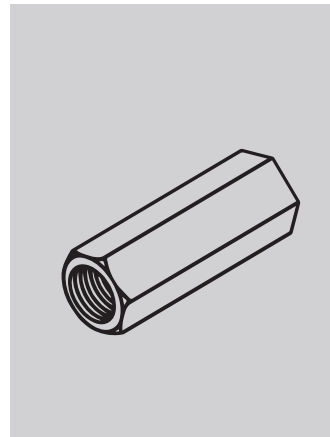
ROOFTOP SUPPORT BLOCKS
page 40 



TREADED RODS
page 42 

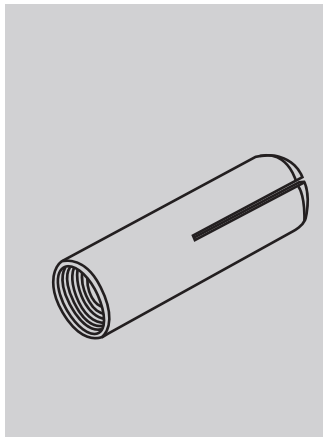


LONG SPRING CHANNEL NUTS
page 43 

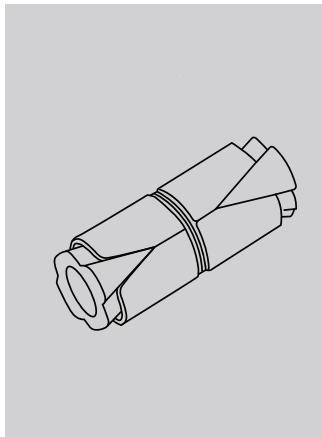


ROD COUPLINGS
page 42 

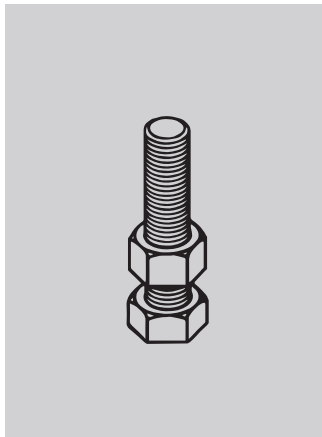
PICTORIAL INDEX



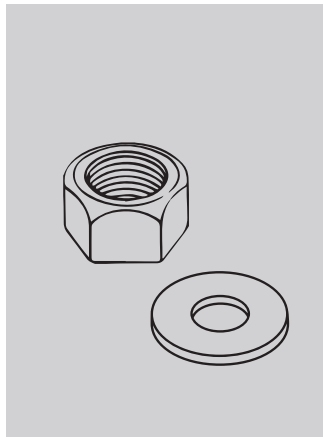
DROP IN ANCHORS
page 44



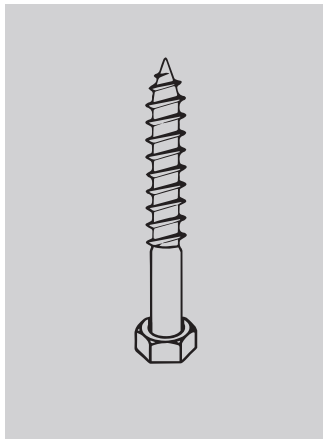
DOUBLE EXPANSION SHIELD COUPLINGS
page 44



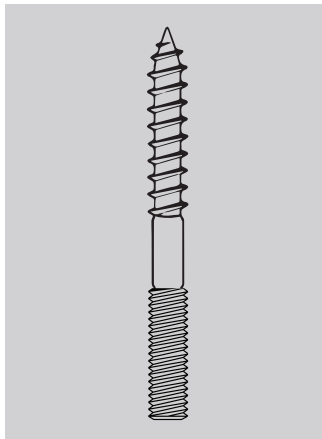
HEX BOLTS
pages 46



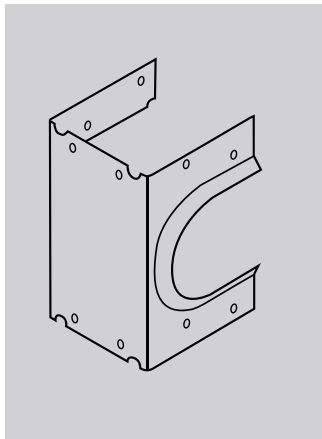
HEX NUTS & WASHERS
page 47



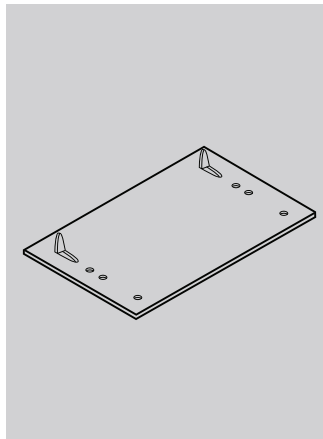
COACH SCREWS
page 45



LAG SCREW RODS
page 45



STUD SHOES
page 56



BOCA PLATES
page 67

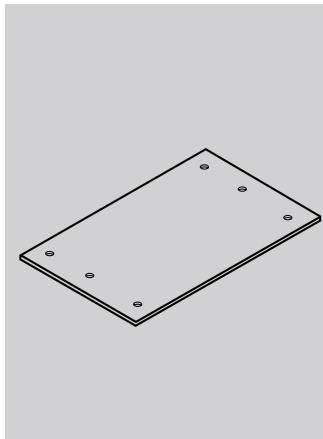
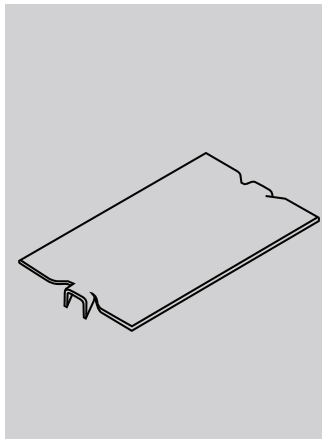
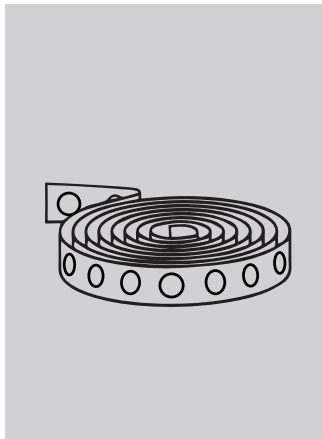


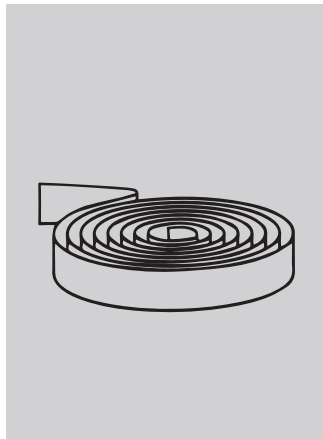
PLATE STRAPS
pages 63-67



STUD GUARDS
pages 54-56

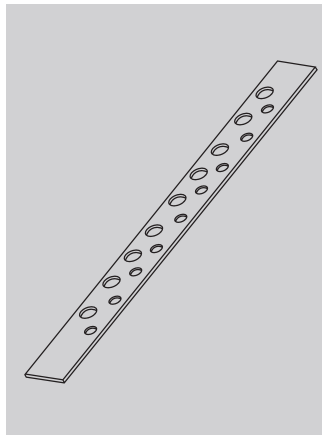


PIPE STRAPPING
pages 49-52

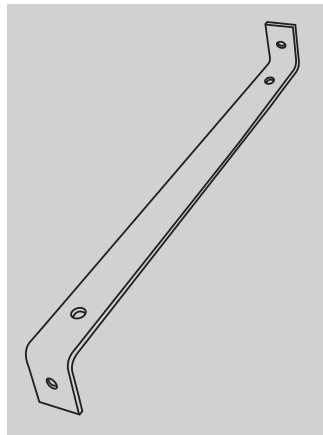


DUCT STRAPPING
page 48

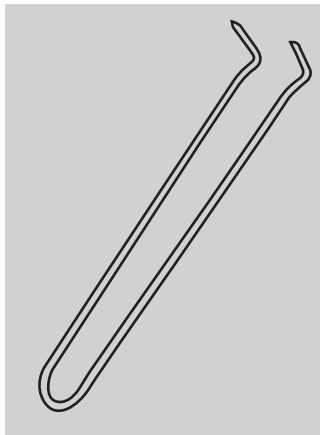
PICTORIAL INDEX



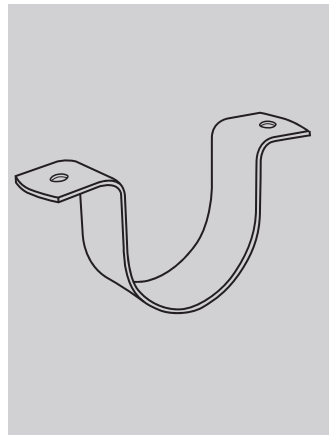
**COPPER
STUB BRACKETS** 
page 48




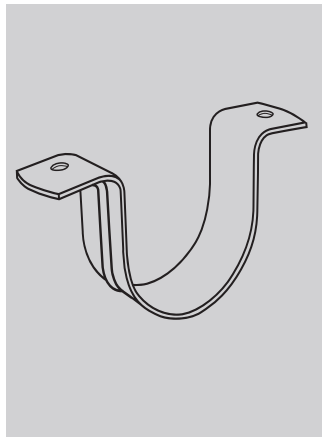
**DUCT
HANGERS** 
page 53



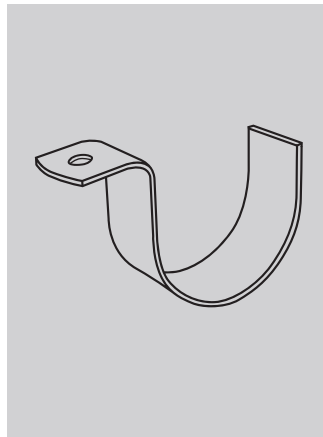
**PIPE
HOOH** 
pages 57-58



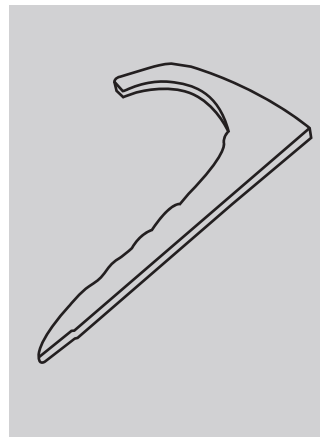
**HEAVY DUTY
PIPE STRAPS** 
page 59



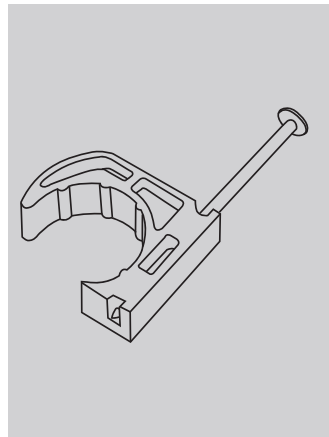
**PIPE
STRAPS** 
pages 60-61



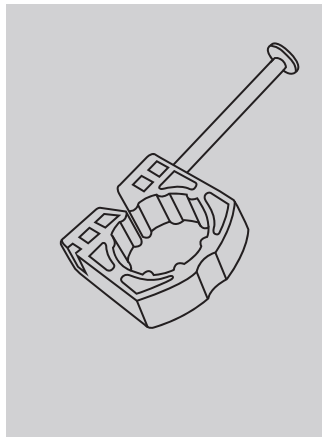
**ONE HOLE
PIPE STRAPS** 
page 62



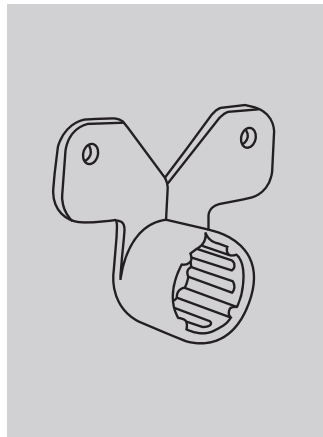
**FLAT TUBE
NAILER** 
page 62



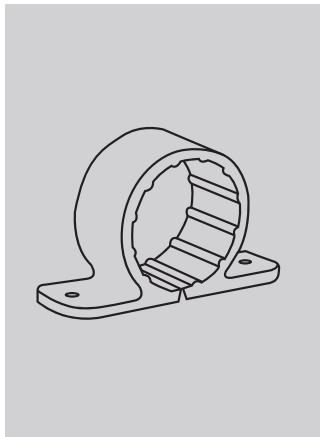
**HALF CLAMP
WITH NAIL** 
page 68



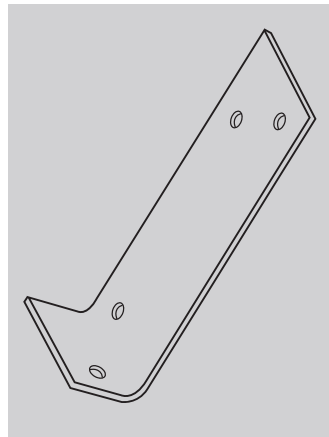
**FULL CLAMP
WITH NAIL** 
page 68



**SUSPENSION
CLAMP** 
page 69



**STANDARD
PIPE CLAMP** 
page 69



**TUB
HANGER** 
pages 53



Finishes



Plain

The plain finish designation means that the product retains the oiled surface applied to the steel prior to the rolling process. This method offers no protection from corrosion.



Electro-Galvanized ASTM B633

An electro-galvanized process deposits zinc on the surface of the steel or iron by electrolysis from a bath of zinc salts. The thickness of zinc applied in this method is between 0.2 mils to 0.5 mils [5.1 μm to 12.7 μm] and meet ASTM B633. EG finish is usually recommended for indoor use in relatively dry areas.



Plastic Coated

Products in this finish are plastic or vinyl coated for prevention of galvanic reaction between materials or for noise reduction. These coated products can also be used where contact between glass pipe and hanger is not desirable.



Yellow Zinc Dichromate

Products in this finish are electro-galvanized with an extra coat of yellow-ish dichromate applied over the zinc. This results in a yellowish-gold appearance and acts as a nonporous barrier sealant that is corrosion resistant and can be painted.



Hot Dip Galvanized ASTM 123

The zinc coating in this finish is applied by hot dipping the fabricated product. The product is dipped in molten zinc and is completely covered on all surfaces including edges and welds which creates a metallurgical bond. This coating is generally recommended for areas exposed to extreme humidity commonly evident in outdoor exposure or in uncontrolled atmospheric conditions and will normally protect steel for up to 20 years or more. The zinc coating thickness is typically 2.6 mils [66.0 μm] or 1.5 oz. per square foot [0.46 kg per square meter] per side.



Pre-Galvanized ASTM A653

Pre-galvanized zinc is produced by hot dipping the steel coil or sheet through molten zinc at the mill prior to fabrication. This is also known as "mill galvanized" or "hot-dipped mill galvanized" Coils are then slit to size for fabrication of the finished product. Coating thicknesses of G90, is 0.90 ounces per square foot (0.27 kg/m²) of steel surface. During the fabrication of this product, the cut edges and welded areas are no longer zinc coated. However, the zinc near the uncoated metal provides sufficient protection to any bare areas. Pre-galvanized steel is suitable for use in dry or mildly corrosive atmospheres.



Epoxy Coated / Copper Epoxy Coated ASTM A653

Epoxy powder coating is applied electrostatically after fabrication as a free-flowing, dry powder. Once the product is pre-treated and clean, it is coated with the powder. It proceeds through a baking process creating a chemical bond and is finished by curing under heat to form a "skin". It is typically used to create a durable, hard wearing finish that is tougher than conventional paint. This coating provides excellent resistance to chipping, peeling, and corrosion. This coating is also an excellent base should the part need to be painted or powder coated before or after installation.



Powder Coated Supr-Green ASTM-B117

An 8-step electro-deposition epoxy coating. Following a thorough cleaning and phosphate rinse the epoxy is applied by immersing the part in liquid epoxy to ensure coverage in crevices and difficult areas. It is then baked on creating a 0.7 to 0.9 mil [18 - 23 μm] thick coating. This process negates drips and sags and produces a coating that withstands 1000 hours or more in a salt spray test. This coating is also an excellent base should the part need to be painted or powder coated before or after installation.



Stainless Steel

AISI Type 304 and Type 316 are non-magnetic members of the austenitic stainless steel group. Several conditions make the use of stainless steel ideal. These include reducing long term maintenance costs, high ambient temperatures, appearance, and stable structural properties such as yield strength, and high creep resistance.

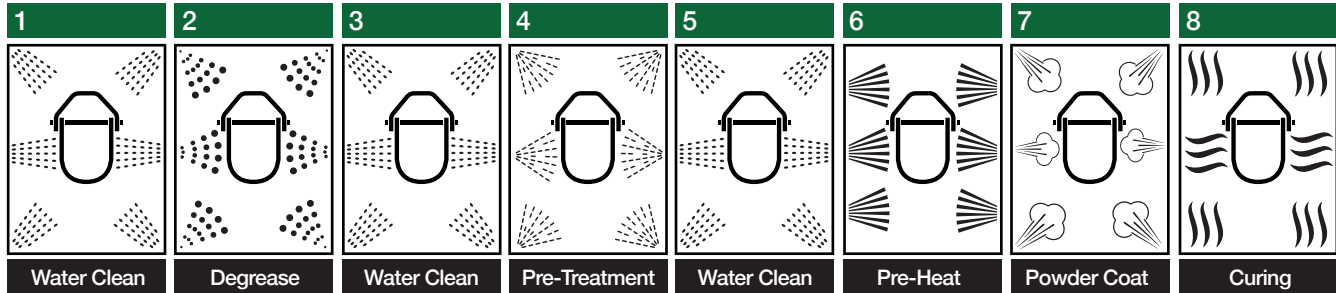


Copper Plated

Copper plating is the process in which a thin layer of copper is deposited on an item via an electric current. This finish is designed for copper tubing installations and is not intended for corrosion resistance.

The Epoxy Coating Process

Piers Epoxy Coated designated hangers and clamps come standard with epoxy plating that uses a more environmentally friendly method than epoxy coatings that use phosphates and heavy metals. The eight step process results in a superior coating that both enhances corrosion resistance and appearance.



Eight Step Epoxy Plating Process

1. Water Clean - Initial cleaning after forming.
2. Degrease - An alkaline solution to remove oils, lubrication grease, soil, and metal oxides.
3. Water Clean - Removes alkaline solution.
4. Pre-Treatment - Surface pretreatment corrosion protection.
5. Water Clean - Post-vitrification cleaning.
6. Pre-Heat - Preheating prior to powder coating.
7. Powder Coating - Epoxy is applied to minimum thickness of 0.05mm.
8. Curing - Heated to a temperature of 392°F (200°C).

Superior Corrosion Resistance

Piers hangers and clamps with epoxy plating are tested in a 20% salt spray solution that exceeds ASTM B 117-03 salt solution requirements by a factor of 4.

After 240 hours in a salt spray (fog) apparatus, the Piers hanger with epoxy plating showed little to no signs of corrosion or pitting and the finish was still smooth. Compare Piers to a typical electro-zinc plated hanger that shows significant corrosion and pitting after the same test. It is easy to see that epoxy plating, offered as standard, is the superior finish.



Material Specifications

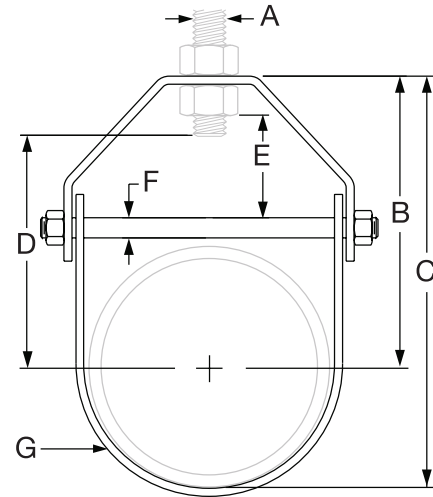
Malleable Iron ASTM A47 Grade 32510
 Carbon Steel ASTM A283 Grade C
 Carbon Steel ASTM A1011-00 SS Grade 33
 Carbon Steel ASTM A1011-00CS Type B
 304 Stainless Steel ASTM A240 (Type 304)
 316 Stainless Steel ASTM A240 (Type 316)

Approvals & Standards

MSS SP-58, MSS SP-69, WW-H-171, NFPA 13
 UL Category VXFT/VXFT7 (UL 203 / ULC/ORD-C203)
 FM Class 1951

Epoxy plating is tested according to:
 ASTM B117-03 (Epoxy Plating Test)
 ASTM D 3359-08 (Epoxy Plating Test)
 ASTM D 3363-05 (Epoxy Plating Test)

Bolt and nut hardware for epoxy coated products:
 ASME B.18.2.1 (Bolt)
 ASME B.18.2.2 (Nut)



LIGHT DUTY PLAIN CLEVIS HANGERS



Allows vertical adjustment of pipe installation

- Maximum temperature 650° F
- Complies with Manufacturers Standardization Society (MSS) SP-69 Type 1, Federal Specification WW-H-171 Type 1
- In order to prevent failure due to disfiguring the U-strap a full width spacer on the cross bolt is recommended when using an oversized Clevis Hanger

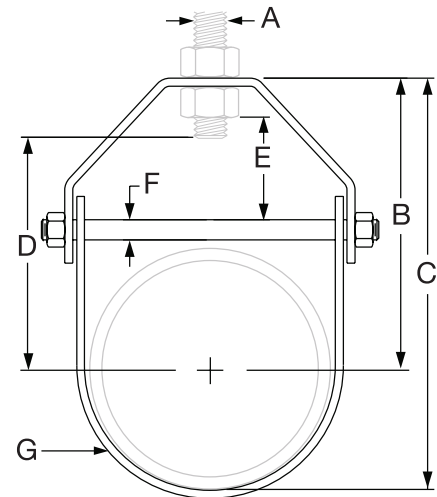
Sizes: 1/2" - 4"

Material: Steel

Finish: Plain

Approvals: Complies with MSS SP-69 Type 1, WW-H-171 Type 1

SIZE INCHES	ITEM PLAIN BLACK	MAX LOAD	WEIGHT	A ROD SIZE	B	C	D ROD OUT	E ADJUSTMENT	F	G WIDTH LOWER	INNER BOX	MASTER BOX	PALLET QTY
1/2"	HCL-PL12	200	0.22	3/8	2-1/2	3-1/16	1-1/2	5/8	1/4	7/8	10	50	2400
3/4"	HCL-PL34	200	0.23	3/8	2-11/16	3-1/4	1-5/16	5/8	1/4	7/8	10	50	2400
1"	HCL-PL01	300	0.27	3/8	3-1/8	3-7/8	1-5/8	5/8	1/4	7/8	10	50	2400
1-1/4"	HCL-PL114	300	0.29	3/8	3-1/4	4-1/8	1-11/16	5/8	1/4	7/8	10	50	2400
1-1/2"	HCL-PL112	300	0.30	3/8	3-1/4	4-3/16	2-1/8	7/8	1/4	7/8	10	50	2400
2"	HCL-PL02	300	0.39	3/8	3-11/16	4-15/16	2-5/8	1-1/8	1/4	1	10	50	2400
2-1/2"	HCL-PL212	400	0.78	1/2	4-11/16	6-1/8	3-3/16	1-5/16	3/8	1	-	30	1440
3"	HCL-PL03	400	0.72	1/2	4-15/16	6-5/8	4-1/16	1-5/8	3/8	1	-	25	1200
3-1/2"	HCL-PL312	450	0.80	1/2	5-3/8	6-15/16	4-3/16	1-13/16	3/8	1	-	25	600
4"	HCL-PL04	550	0.97	5/8	5-11/16	7-7/8	4-1/2	1-11/16	3/8	1-3/16	-	25	600



LIGHT DUTY ELECTRO GALVANIZED & PLASTIC COATED



Allows vertical adjustment of pipe installation

- Maximum temperature 450° F
- Complies with Manufacturers Standardization Society (MSS) SP-69 Type 1, Federal Specification WW-H-171 Type 1
- In order to prevent failure due to disfiguring the U-strap a full width spacer on the cross bolt is recommended when using an oversized Clevis Hanger

Sizes: 1/2" - 4"

Material: Steel

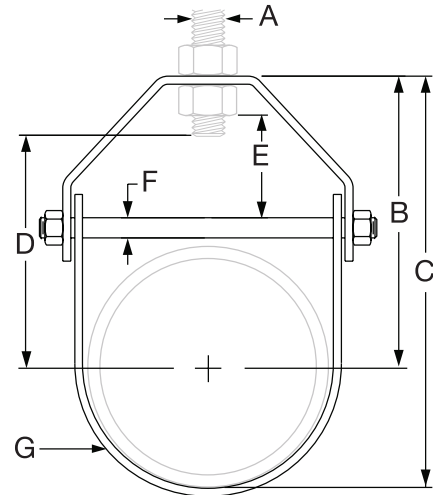
Finish: Electro Galvanized & Plastic Coated

Approvals: Complies with MSS SP-69 Type 1, WW-H-171 Type 1

SIZE INCHES	ITEM ELECTRO GALVANIZED	ITEM PLASTIC COATED	MAX LOAD	WEIGHT	A ROD SIZE	B	C	D ROD OUT	E ADJUSTMENT	F	G WIDTH LOWER	INNER BOX	MASTER BOX	PALLET QTY
1/2"	HCL-GE12	HCL-P12	200	0.22	3/8	2-1/2	3-1/16	1-1/2	5/8	1/4	7/8	10	50	2400
3/4"	HCL-GE34	HCL-P34	200	0.23	3/8	2-11/16	3-1/4	1-5/16	5/8	1/4	7/8	10	50	2400
1"	HCL-GE01	HCL-P01	300	0.27	3/8	3-1/8	3-7/8	1-5/8	5/8	1/4	7/8	10	50	2400
1-1/4"	HCL-GE114	HCL-P114	300	0.29	3/8	3-1/4	4-1/8	1-11/16	5/8	1/4	7/8	10	50	2400
1-1/2"	HCL-GE112	HCL-P112	300	0.30	3/8	3-1/4	4-3/16	2-1/8	7/8	1/4	7/8	10	50	2400
2"	HCL-GE02	HCL-P02	300	0.39	3/8	3-11/16	4-15/16	2-5/8	1-1/8	1/4	1	10	50	2400
2-1/2"	HCL-GE212	HCL-P212	400	0.78	1/2	4-11/16	6-1/8	3-3/16	1-5/16	3/8	1	-	30	1440
3"	HCL-GE03	HCL-P03	400	0.72	1/2	4-15/16	6-5/8	4-1/16	1-5/8	3/8	1	-	25	1200
3-1/2"	HCL-GE312	HCL-P312	450	0.80	1/2	5-3/8	6-15/16	4-3/16	1-13/16	3/8	1	-	25	600
4"	HCL-GE04	HCL-P04	550	0.97	5/8	5-11/16	7-7/8	4-1/2	1-11/16	3/8	1-3/16	-	25	600



EPOXY COATED
PROTECTIVE SHIELD SYSTEM



LIGHT DUTY EPOXY COATED CLEVIS HANGERS



Allows vertical adjustment of pipe installation

- Maximum temperature 450° F
- Complies with Manufacturers Standardization Society (MSS) SP-69 Type 1, Federal Specification WW-H-171 Type 1
- In order to prevent failure due to disfiguring the U-strap a full width spacer on the cross bolt is recommended when using an oversized Clevis hanger

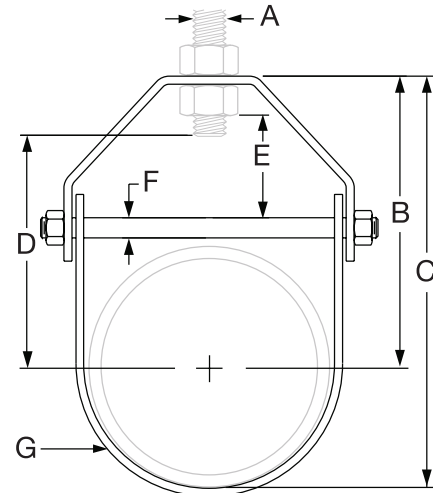
Sizes: 1/2" - 4"

Material: Steel

Finish: Epoxy Coated

Approvals: Complies with MSS SP-69 Type 1, WW-H-171 Type 1

SIZE INCHES	ITEM EPOXY COATED	MAX LOAD	WEIGHT	A ROD SIZE	B	C	D ROD OUT	E ADJUSTMENT	F	G WIDTH LOWER	INNER BOX	MASTER BOX	PALLET QTY
1/2"	HCL-EP12	150	0.22	3/8	2-1/2	3-1/16	1-1/2	5/8	1/4	7/8	10	50	2400
3/4"	HCL-EP34	150	0.23	3/8	2-11/16	3-1/4	1-5/16	5/8	1/4	7/8	10	50	2400
1"	HCL-EP01	250	0.27	3/8	3-1/8	3-7/8	1-5/8	5/8	1/4	7/8	10	50	2400
1-1/4"	HCL-EP114	250	0.29	3/8	3-1/4	4-1/8	1-11/16	5/8	1/4	7/8	10	50	2400
1-1/2"	HCL-EP112	250	0.30	3/8	3-1/4	4-3/16	2-1/8	7/8	1/4	7/8	10	50	2400
2"	HCL-EP02	250	0.39	3/8	3-11/16	4-15/16	2-5/8	1-1/8	1/4	1	10	50	2400
2-1/2"	HCL-EP212	350	0.78	1/2	4-11/16	6-1/8	3-3/16	1-5/16	3/8	1	-	30	1440
3"	HCL-EP03	350	0.72	1/2	4-15/16	6-5/8	4-1/16	1-5/8	3/8	1	-	25	1200
3-1/2"	HCL-EP312	450	0.80	1/2	5-3/8	6-15/16	4-3/16	1-13/16	3/8	1	-	25	600
4"	HCL-EP04	400	0.97	5/8	5-11/16	7-7/8	4-1/2	1-11/16	3/8	1-3/16	-	25	600



STANDARD PLAIN CLEVIS HANGERS



Designed for suspending pipe with vertical adjustment

- Maximum temperature 650° F
- Underwriters Laboratories Listed (UL) and Factory Mutual Approved (FM)
- Complies with Federal Specification WW-H-171 Type 1, Manufacturers Standardization Society (MSS) SP-69 Type 1
- When using an oversize clevis, it is recommended to install a full-width spacer on the cross bolt to prevent failure due to disfiguring the U-strap

Sizes: 1/2" - 24"

Material: Steel

Finish: Plain

Approvals: UL, FM, Complies with MSS SP-69 Type 1, WW-H-171 Type 1

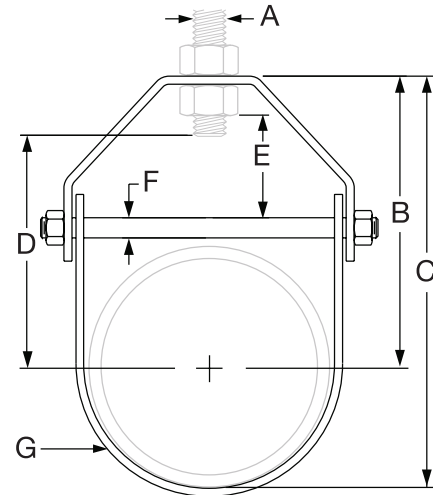
SIZE INCHES	ITEM PLAIN	MAX LOAD	WEIGHT LBS	A ROD SIZE	B	C	D ROD OUT	E ADJUSTMENT	F	G WIDTH LOWER	INNER BOX	MASTER BOX	PALLET QTY
1/2"	HCS-PL12	610	0.31	3/8	2-1/2	3-1/16	1-1/2	5/8	1/4	7/8	10	50	2400
3/4"	HCS-PL34	610	0.33	3/8	2-11/16	3-1/4	1-5/16	5/8	1/4	7/8	10	50	2400
1"	HCS-PL01	610	0.34	3/8	3-3/16	3-13/16	1-5/8	5/8	1/4	7/8	10	50	2400
1-1/4"	HCS-PL114	610	0.41	3/8	3-1/4	4-1/8	1-11/16	5/8	1/4	7/8	10	50	2400
1-1/2"	HCS-PL112	610	0.43	3/8	3-1/4	4-3/16	2-1/8	7/8	1/4	7/8	10	50	2400
2"	HCS-PL02	610	0.53	3/8	3-11/16	4-15/16	2-5/8	1-1/8	1/4	7/8	10	50	2400
2-1/2"	HCS-PL212	1130	0.74	1/2	4-11/16	6-1/8	3-3/16	1-5/16	3/8	1-1/32	-	30	1440
3"	HCS-PL03	1130	0.99	1/2	4-15/16	6-5/8	4-1/16	1-5/8	3/8	1-1/32	-	25	1200
3-1/2"	HCS-PL312	450	0.80	1/2	5-3/8	6-15/16	4-3/16	1-13/16	3/8	1-1/32	-	25	600
4"	HCS-PL04	1130	1.43	5/8	5-11/16	7-7/8	4-1/2	1-11/16	3/8	1-3/16	-	25	600
5"	HCS-PL05	1430	1.62	5/8	6-1/8	9-3/32	5-1/2	1-15/16	1/2	1-1/4	-	25	400
6"	HCS-PL06	1940	3.26	3/4	6-3/4	10-1/4	5-3/4	1-11/16	1/2	1-7/16	-	10	240
8"	HCS-PL08	2000	4.39	3/4	8-5/8	12-15/16	7-3/16	2	5/8	1-11/16	-	10	240
10"	HCS-PL010	3600	8.64	7/8	9	15	8-7/16	2-1/8	3/4	1-3/4	-	-	160
12"	HCS-PL012	3800	11.32	7/8	11-1/32	18	10-1/8	2-13/16	3/4	1-15/16	-	-	100
14"	HCS-PL014	4200	15.05	1	12-5/8	20-1/4	10-11/16	2-11/16	7/8	1-15/16	-	-	84
16"	HCS-PL016	4600	21.00	1	13-15/16	22-1/16	12	2-3/4	1	2-1/2	-	-	52
18"	HCS-PL018	4800	25.00	1-1/8	14-9/16	25-1/8	13-15/16	3-1/2	1-1/8	2-1/2	-	-	40
20"	HCS-PL020	4800	42.50	1-1/4	15-35/64	27-23/64	16-1/2	4-1/8	1-1/4	3	-	-	28
24"	HCS-PL024	4800	43.50	1-1/4	18-25/64	31-39/64	18-3/8	4-3/4	1-1/4	3	-	-	20



PIPE HANGERS



CLEVIS HANGERS



STANDARD ELECTRO GALVANIZED & GALVANIZED

Designed for suspending pipe with vertical adjustment

- Maximum temperature 650° F
- Underwriters Laboratories Listed (UL) and Factory Mutual Approved (FM)
- Complies with Federal Specification WW-H-171 Type 1, Manufacturers Standardization Society (MSS) SP-69 Type 1
- When using an oversize clevis, it is recommended to install a full-width spacer on the cross bolt to prevent failure due to disfiguring the U-strap

Sizes: 1/2" - 24"

Material: Steel

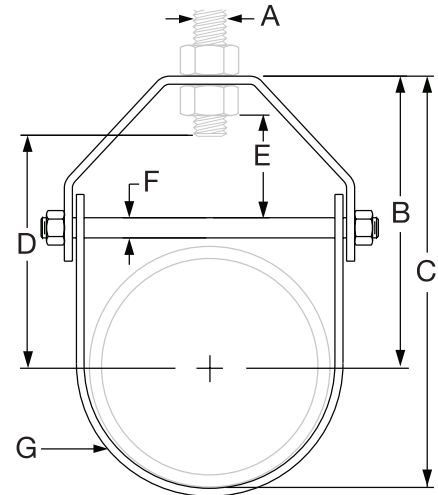
Finish: Electro Galvanized & Galvanized

Approvals: UL, FM, Complies with MSS SP-69 Type 1, WW-H-171 Type 1

SIZE INCHES	ITEM ELECTRO GALVANIZED	ITEM GALVANIZED	MAX LOAD	WEIGHT	A ROD SIZE	B	C	D ROD OUT	E ADJUSTMENT	F	G WIDTH LOWER	INNER BOX	MASTER BOX	PALLET QTY
1/2"	HCS-GE12	HCS-G12	610	0.31	3/8	2-1/2	3-1/16	1-1/2	5/8	1/4	7/8	10	50	2400
3/4"	HCS-GE34	HCS-G34	610	0.33	3/8	2-11/16	3-1/4	1-5/16	5/8	1/4	7/8	10	50	2400
1"	HCS-GE01	HCS-G01	610	0.34	3/8	3-3/16	3-13/16	1-5/8	5/8	1/4	7/8	10	50	2400
1-1/4"	HCS-GE114	HCS-G114	610	0.41	3/8	3-1/4	4-1/8	1-11/16	5/8	1/4	7/8	10	50	2400
1-1/2"	HCS-GE112	HCS-G112	610	0.43	3/8	3-1/4	4-3/16	2-1/8	7/8	1/4	7/8	10	50	2400
2"	HCS-GE02	HCS-G02	610	0.53	3/8	3-11/16	4-15/16	2-5/8	1-1/8	1/4	7/8	10	50	2400
2-1/2"	HCS-GE212	HCS-G212	1130	0.74	1/2	4-11/16	6-1/8	3-3/16	1-5/16	3/8	1-1/32	-	30	1440
3"	HCS-GE03	HCS-G03	1130	0.99	1/2	4-15/16	6-5/8	4-1/16	1-5/8	3/8	1-1/32	-	25	1200
3-1/2"	HCS-GE312	HCS-G312	450	0.80	1/2	5-3/8	6-15/16	4-3/16	1-13/16	3/8	1-1/32	-	25	600
4"	HCS-GE04	HCS-G04	1130	1.43	5/8	5-11/16	7-7/8	4-1/2	1-11/16	3/8	1-3/16	-	25	600
5"	HCS-GE05	HCS-G05	1430	1.62	5/8	6-1/8	9-3/32	5-1/2	1-15/16	1/2	1-1/4	-	25	400
6"	HCS-GE06	HCS-G06	1940	3.26	3/4	6-3/4	10-1/4	5-3/4	1-11/16	1/2	1-7/16	-	10	240
8"	HCS-GE08	HCS-G08	2000	4.39	3/4	8-5/8	12-15/16	7-3/16	2	5/8	1-11/16	-	10	240
10"	HCS-GE010	HCS-G010	3600	8.64	7/8	9	15	8-7/16	2-1/8	3/4	1-3/4	-	-	160
12"	HCS-GE012	HCS-G012	3800	11.32	7/8	11-1/32	18	10-1/8	2-13/16	3/4	1-15/16	-	-	100
14"	HCS-GE014	HCS-G014	4200	15.05	1	12-5/8	20-1/4	10-11/16	2-11/16	7/8	1-15/16	-	-	84
16"	HCS-GE016	HCS-G016	4600	21.00	1	13-15/16	22-1/16	12	2-3/4	1	2-1/2	-	-	52
18"	HCS-GE018	HCS-G018	4800	25.00	1-1/8	14-9/16	25-1/8	13-15/16	3-1/2	1-1/8	2-1/2	-	-	40
20"	HCS-GE020	-	4800	42.50	1-1/4	15-35/64	27-23/64	16-1/2	4-1/8	1-1/4	3	-	-	28
24"	HCS-GE024	-	4800	43.50	1-1/4	18-25/64	31-39/64	18-3/8	4-3/4	1-1/4	3	-	-	20



EPOXY COATED
PROTECTIVE SHIELD SYSTEM



STANDARD EPOXY COATED CLEVIS HANGERS



Designed for suspending pipe with vertical adjustment

- Maximum temperature 450° F
- Underwriters Laboratories Listed (UL) and Factory Mutual Approved (FM)
- Complies with Federal Specification WW-H-171 Type 1, Manufacturers Standardization Society (MSS) SP-69 Type 1
- When using insulated pipe, order hanger sized to correspond to overall dimension. It is also recommended to use insulation shields
- When using an oversize clevis, it is recommended to install a full-width spacer on the cross bolt to prevent failure due to disfiguring the U-strap

Sizes: 1/2" - 24"

Material: Steel

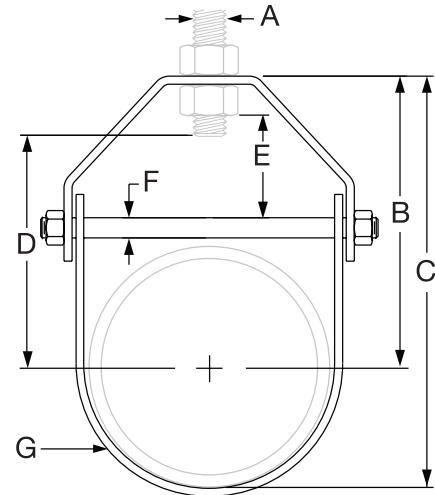
Finish: Epoxy Coated

Approvals: UL, FM, Complies with MSS SP-69 Type 1, WW-H-171 Type 1

SIZE INCHES	ITEM EPOXY COATED	MAX LOAD	WEIGHT	A ROD SIZE	B	C	D ROD OUT	E ADJUSTMENT	F	G WIDTH LOWER	INNER BOX	MASTER BOX	PALLET QTY
1/2"	HCS-EP12	610	0.31	3/8	2-1/2	3-1/16	1-1/2	5/8	1/4	7/8	10	50	2400
3/4"	HCS-EP34	610	0.33	3/8	2-11/16	3-1/4	1-5/16	5/8	1/4	7/8	10	50	2400
1"	HCS-EP01	610	0.34	3/8	3-3/16	3-13/16	1-5/8	5/8	1/4	7/8	10	50	2400
1-1/4"	HCS-EP114	610	0.41	3/8	3-1/4	4-1/8	1-11/16	5/8	1/4	7/8	10	50	2400
1-1/2"	HCS-EP112	610	0.43	3/8	3-1/4	4-3/16	2-1/8	7/8	1/4	7/8	10	50	2400
2"	HCS-EP02	610	0.53	3/8	3-11/16	4-15/16	2-5/8	1-1/8	1/4	7/8	10	50	2400
2-1/2"	HCS-EP212	1130	0.74	1/2	4-11/16	6-1/8	3-3/16	1-5/16	3/8	1-1/32	-	30	1440
3"	HCS-EP03	1130	0.99	1/2	4-15/16	6-5/8	4-1/16	1-5/8	3/8	1-1/32	-	25	1200
3-1/2"	HCS-EP312	450	0.80	1/2	5-3/8	6-15/16	4-3/16	1-13/16	3/8	1-1/32	-	25	600
4"	HCS-EP04	1130	1.43	5/8	5-11/16	7-7/8	4-1/2	1-11/16	3/8	1-3/16	-	25	600
5"	HCS-EP05	1430	1.62	5/8	6-1/8	9-3/32	5-1/2	1-15/16	1/2	1-1/4	-	25	400
6"	HCS-EP06	1940	3.26	3/4	6-3/4	10-1/4	5-3/4	1-11/16	1/2	1-7/16	-	10	240
8"	HCS-EP08	2000	4.39	3/4	8-5/8	12-15/16	7-3/16	2	5/8	1-11/16	-	10	240
10"	HCS-EP010	3600	8.64	7/8	9	15	8-7/16	2-1/8	3/4	1-3/4	-	-	160
12"	HCS-EP012	3800	11.32	7/8	11-1/32	18	10-1/8	2-13/16	3/4	1-15/16	-	-	100
14"	HCS-EP014	4200	15.05	1	12-5/8	20-1/4	10-11/16	2-11/16	7/8	1-15/16	-	-	84
16"	HCS-EP016	4600	21.00	1	13-15/16	22-1/16	12	2-3/4	1	2-1/2	-	-	52
18"	HCS-EP018	4800	25.00	1-1/8	14-9/16	25-1/8	13-15/16	3-1/2	1-1/8	2-1/2	-	-	40
20"	HCS-EP020	4800	42.50	1-1/4	15-35/64	27-23/64	16-1/2	4-1/8	1-1/4	3	-	-	28
24"	HCS-EP024	4800	43.50	1-1/4	18-25/64	31-39/64	18-3/8	4-3/4	1-1/4	3	-	-	20



EPOXY COATED
PROTECTIVE SHIELD SYSTEM



COPPER EPOXY COATED CLEVIS



Designed for suspending pipe with vertical adjustment

- Maximum temperature 450° F
- Underwriters Laboratories Listed (UL) and Factory Mutual Approved (FM)
- Complies with Federal Specification WW-H-171 Type 1, Manufacturers Standardization Society (MSS) SP-69 Type 1
- When using insulated pipe, order hanger sized to correspond to overall dimension. It is also recommended to use insulation shields
- When using an oversize clevis, it is recommended to install a full-width spacer on the cross bolt to prevent failure due to disfiguring the U-strap

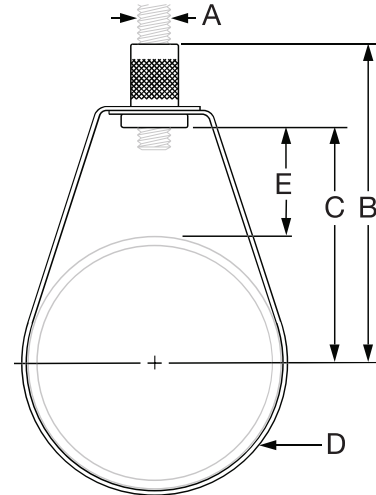
Sizes: 1/2" - 6"

Material: Steel

Finish: Copper Epoxy Coated

Approvals: UL, FM, Complies with MSS SP-69 Type 1, WW-H-171 Type 1

SIZE INCHES	ITEM COPPER EPOXY COATED	MAX LOAD	WEIGHT	A ROD SIZE	B	C	D ROD OUT	E ADJUSTMENT	F	G WIDTH LOWER	INNER BOX	MASTER BOX	PALLET QTY
1/2"	HCS-EC12	610	0.20	3/8	1-1/2	2-1/8	1-1/2	5/8	1/4	7/8	10	50	2400
3/4"	HCS-EC34	610	0.24	3/8	1-9/16	2-7/16	1-5/16	5/8	1/4	7/8	10	50	2400
1"	HCS-EC01	610	0.27	3/8	1-3/4	2-7/8	1-5/8	5/8	1/4	7/8	10	50	2400
1-1/4"	HCS-EC114	610	0.29	3/8	1-11/16	3-1/16	1-11/16	5/8	1/4	7/8	10	50	2400
1-1/2"	HCS-EC112	610	0.32	3/8	1-3/4	3-3/8	2-1/8	7/8	1/4	7/8	10	50	2400
2"	HCS-EC02	610	0.38	3/8	1-15/16	4-1/16	2-5/8	1-1/8	1/4	7/8	10	50	2440
2-1/2"	HCS-EC212	1130	0.61	1/2	3-1/8	5-13/16	3-3/16	1-5/16	1/4	1-1/32	-	30	1440
3"	HCS-EC03	1130	0.70	1/2	3-1/8	6-5/8	4-1/16	1-5/8	1/4	1-1/32	-	25	1200
3-1/2"	HCS-EC312	1130	0.75	1/2	3-1/8	6-15/16	4-3/8	1-5/8	1/4	1-1/32	-	25	600
4"	HCS-EC04	1130	0.78	1/2	3-3/8	7-3/8	4-1/2	1-11/16	1/4	1-1/32	-	25	600
5"	HCS-EC05	1430	1.89	5/8	3-5/16	8-1/2	5-1/2	1-15/16	3/8	1-1/4	-	25	400
6"	HCS-EC06	1940	2.06	5/8	3-5/8	8-13/16	5-3/4	1-11/16	3/8	1-1/4	-	10	240



GALVANIZED & PLASTIC COATED SWIVEL HANGERS

Designed for suspending pipe with vertical adjustment

- Knurled insert nut allows for vertical adjustment after installation
- Underwriters Laboratories Listed (UL) and Factory Mutual Approved (FM)
- National Fire Protection Association Standardized (NFPA)
- Complies with Federal Specification WW-H-171E & A-A-1192A Type 10, Manufacturers Standardization Society (MSS) SP-69 & SP-58 Type 10
- Designed for the suspension of insulated pipe lines
- Plastic coating separates the copper tubing from the steel ring for electrolytic resistance and also minimizes noise and vibration

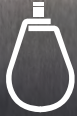
Sizes: 1/2" - 8"

Material: Steel

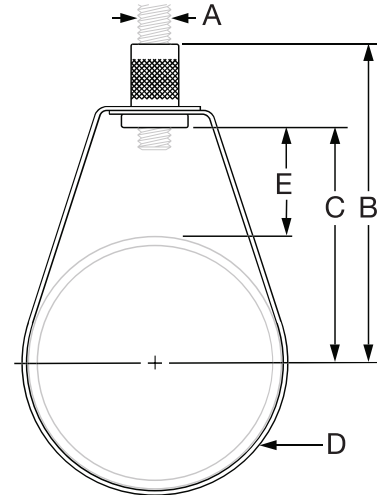
Finish: Pre Galvanized & Plastic Coated

Approvals: UL, FM, NFPA, Complies with MSS SP-69 & SP-58 Type 10, WW-H-171E & A-A-1192A Type 10

SIZE INCHES	ITEM PRE GALVANIZED	ITEM PLASTIC COATED	MAX LOAD	WEIGHT	A ROD SIZE	B	C	D	E ADJUSTMENT	INNER BOX	MASTER BOX	PALLET QTY
1/2"	HSRN-GP12	HSR-P12	300	0.1	3/8	2-5/32	1-5/8	5/8	1-1/16	10	100	6400
3/4"	HSRN-GP34	HSR-P34	300	0.1	3/8	2-3/8	1-51/64	5/8	1-1/8	10	100	6400
1"	HSRN-GP01	HSR-P01	300	0.1	3/8	2-19/32	1-61/64	5/8	1-1/8	10	100	4800
1-1/4"	HSRN-GP114	HSR-P114	300	0.11	3/8	2-51/64	2-1/8	5/8	1-1/16	10	100	4800
1-1/2"	HSRN-GP112	HSR-P112	300	0.11	3/8	2-57/64	2-7/32	5/8	1-1/16	10	100	4800
2"	HSRN-GP02	HSR-P02	300	0.14	3/8	3-3/32	2-29/64	5/8	1-1/16	10	100	4800
2-1/2"	HSRN-GP212	HSR-P212	525	0.19	3/8	4-9/32	3-21/32	7/8	1-7/8	-	50	2400
3"	HSRN-GP03	HSR-P03	525	0.23	3/8	4-9/16	3-3/4	7/8	2	-	50	2400
3-1/2"	HSRN-GP312	HSR-P312	650	0.25	3/8	4-47/64	3-15/16	7/8	2-1/4	-	50	2400
4"	HSRN-GP04	HSR-P04	650	0.3	3/8	5-3/32	4-29/64	7/8	2-3/8	-	25	1200
5"	HSRN-GP05	HSR-P05	1000	0.5	1/2	5-47/64	5-11/32	3/4	2-7/16	-	25	1200
6"	HSRN-GP06	HSR-P06	1000	0.58	1/2	6-13/16	6-1/16	3/4	2-7/8	-	15	720
8"	HSRN-GP08	HSR-P08	1000	0.58	1/2	8-21/64	7-9/16	3/4	3-3/8	-	10	480



EPOXY COATED
PROTECTIVE SHIELD SYSTEM



EPOXY COATED SWIVEL HANGERS



Designed for suspending pipe with vertical adjustment

- Knurled insert nut allows for vertical adjustment after installation
- Underwriters Laboratories Listed (UL) and Factory Mutual Approved (FM)
- National Fire Protection Association Standardized (NFPA)
- Complies with Federal Specification WW-H-171E & A-A-1192A Type 10, Manufacturers Standardization Society (MSS) SP-69 & SP-58 Type 10
- Designed for the suspension of insulated pipe lines

Sizes: 1/2" - 8"

Material: Steel

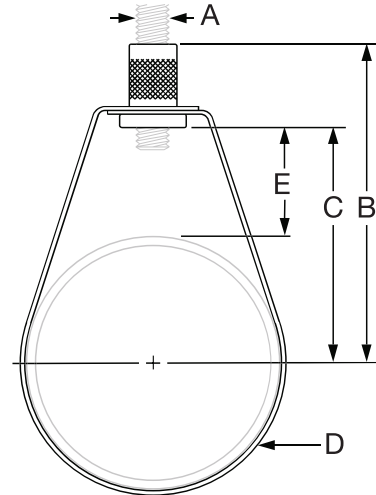
Finish: Epoxy Coated

Approvals: UL, FM, NFPA, Complies with MSS SP-69 & SP-58 Type 10, WW-H-171E & A-A-1192A Type 10

SIZE INCHES	ITEM EPOXY COATED	MAX LOAD	WEIGHT LBS	A ROD SIZE	B	C	D	E ADJUSTMENT	INNER BOX	MASTER BOX	PALLET QTY
1/2"	HSRN-EP12	300	0.1	3/8	2-5/32	1-5/8	5/8	1-1/16	10	100	6400
3/4"	HSRN-EP34	300	0.1	3/8	2-3/8	1-51/64	5/8	1-1/8	10	100	6400
1"	HSRN-EP01	300	0.1	3/8	2-19/32	1-61/64	5/8	1-1/8	10	100	4800
1-1/4"	HSRN-EP114	300	0.11	3/8	2-51/64	2-1/8	5/8	1-1/16	10	100	4800
1-1/2"	HSRN-EP112	300	0.11	3/8	2-57/64	2-7/32	5/8	1-1/16	10	100	4800
2"	HSRN-EP02	300	0.14	3/8	3-3/32	2-29/64	5/8	1-1/16	10	100	4800
2-1/2"	HSRN-EP212	525	0.19	3/8	4-9/32	3-21/32	7/8	1-7/8	-	50	2400
3"	HSRN-EP03	525	0.23	3/8	4-9/16	3-3/4	7/8	2	-	50	2400
3-1/2"	HSRN-EP312	650	0.25	3/8	4-47/64	3-15/16	7/8	2-1/4	-	50	2400
4"	HSRN-EP04	650	0.3	3/8	5-3/32	4-29/64	7/8	2-3/8	-	25	1200
5"	HSRN-EP05	1000	0.5	1/2	5-47/64	5-11/32	3/4	2-7/16	-	25	1200
6"	HSRN-EP06	1000	0.58	1/2	6-13/16	6-1/16	3/4	2-7/8	-	15	720
8"	HSRN-EP08	1000	0.9	1/2	8-21/64	7-9/16	3/4	3-3/8	-	10	480



EPOXY COATED
PROTECTIVE SHIELD SYSTEM



COPPER EPOXY COATED SWIVEL HANGERS



Designed for suspending pipe with vertical adjustment

- Knurled insert nut allows for vertical adjustment after installation
- Underwriters Laboratories Listed (UL) and Factory Mutual Approved (FM)
- National Fire Protection Association Standardized (NFPA)
- Complies with Federal Specification WW-H-171E & A-A-1192A Type 10, Manufacturers Standardization Society (MSS) SP-69 & SP-58 Type 10
- Designed for the suspension of insulated pipe lines

Sizes: 1/2" - 8"

Material: Steel

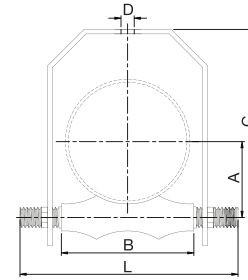
Finish: Copper Epoxy Coated

Approvals: UL, FM, NFPA, Complies with MSS SP-69 & SP-58 Type 10, WW-H-171E & A-A-1192A Type 10

SIZE INCHES	ITEM COPPER EPOXY COATED	MAX LOAD	WEIGHT LBS	A ROD SIZE	B	C	D	E ADJUSTMENT	INNER BOX	MASTER BOX	PALLET QTY
1/2"	HSR-EC12	300	0.1	3/8	2-9/64	1-7/16	5/8	1-1/16	10	100	6400
3/4"	HSR-EC34	300	0.1	3/8	2-3/8	1-11/16	5/8	1-1/8	10	100	6400
1"	HSR-EC01	300	0.1	3/8	2-13/16	1-13/16	5/8	1-1/8	10	100	4800
1-1/4"	HSR-EC114	300	0.11	3/8	2-7/8	1-7/8	5/8	1-1/16	10	100	4800
1-1/2"	HSR-EC112	300	0.11	3/8	3	2	5/8	1-1/16	10	100	4800
2"	HSR-EC02	300	0.14	3/8	3-3/16	2-3/16	5/8	1-1/16	10	100	4800
2-1/2"	HSR-EC212	525	0.19	3/8	4-9/16	3-5/16	7/8	1-7/8	-	50	2400
3"	HSR-EC03	525	0.23	3/8	5	3-3/4	7/8	2	-	50	2400
3-1/2"	HSR-EC312	650	0.25	3/8	5-1/2	3-15/16	7/8	2-1/4	-	50	2400
4"	HSR-EC04	650	0.3	3/8	6	4-11/16	7/8	2-3/8	-	25	1200
5"	HSR-EC05	1000	0.5	1/2	6-1/2	5-1/4	3/4	2-7/16	-	25	1200
6"	HSR-EC06	1000	0.58	1/2	7-3/4	6-3/16	3/4	2-7/8	-	15	720
8"	HSR-EC08	1000	0.9	1/2	9-5/16	7-11/16	3/4	3-3/8	-	10	480



CLEVIS ROLLER HANGER



Designed for suspending pipe with vertical adjustment

- Maximum temperature 450° F
- Complies with Federal Specification A-A-1192A Type 43, WW-H-171-E Type 44, ANSI/MSS SP-69 and MSS SP-58 Type 43
- Non conductive, corrosion resistant Pipe Rollers for protection against severe weather conditions and moderate corrosive conditions such as marine atmospheres.

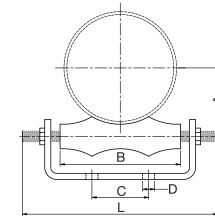
Sizes: 2" - 16"

Material: Steel

Finish: Hot Dipped Galvanized

Approvals: Complies with ANSI/MSS SP-69 MSS SP-58 Type 43, A-A-1192A Type 43, WW-H-171-E Type44

SIZE INCHES	ITEM GALVANIZED	MAX LOAD	WEIGHT	A	B	C	D	L	EACH	PALLET QTY
2"	HRYA-HD02	150	0.98	1-5/8	2-7/8	4-3/8	7/16	4	1	1300
3"	HRYA-HD03	310	1.61	1-1/4	3-3/4	6-3/8	9/16	5	1	730
4"	HRYA-HD04	475	2.61	2-3/4	4-3/4	7-1/2	11/16	6	1	440
5"	HRYA-HD05	685	4.42	3-1/2	5-3/4	8-5/8	13/16	8	1	200
6"	HRYA-HD06	780	5.86	4	6-7/8	10-1/4	13/16	9	1	150
8"	HRYA-HD08	780	12.08	5-1/8	8-7/8	12-3/4	13/16	12	1	80
10"	HRYA-HD10	965	18.34	6-3/8	11	15	15/16	14-1/2	1	70
12"	HRYA-HD12	1,200	25.3	7-1/2	12-1/2	17-3/8	15/16	16-1/2	1	50
14"	HRYA-HD14	1,200	36.01	8-3/8	14-3/8	18-7/8	1-1/16	18	1	30
16"	HRYA-HD16	1,200	43.68	9-1/2	16-3/8	20-3/4	1-1/16	20-1/2	1	20



PIPE ROLLER CHAIR

Designed for supporting pipe in horizontal applications

- Maximum temperature 450° F
- Complies with Federal Specification A-A-1192A Type 44, WW-H-171-E Type 45, ANSI/MSS SP-69 and MSS SP-58 Type 44
- Non conductive, corrosion resistant Pipe Rollers for protection against severe weather conditions and moderate corrosive conditions such as marine atmospheres.

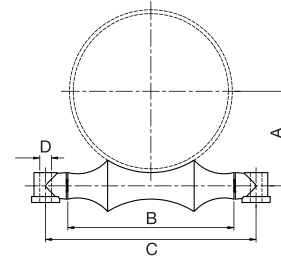
Sizes: 2" - 16"

Material: Steel

Finish: Hot Dipped Galvanized

Approvals: Complies with ANSI/MSS SP-69 MSS SP-58 Type 44, A-A-1192A Type 44, WW-H-171-E Type45

SIZE INCHES	ITEM GALVANIZED	MAX LOAD	WEIGHT	A	B	C	D	L	EACH	PALLET QTY
2"	HRC-HD02	600	0.82	1-5/8	2-7/8	1-1/4	0.42	4	1	2600
3"	HRC-HD03	700	1.4	2-1/4	3-3/4	2	0.42	5	1	1500
4"	HRC-HD04	750	2.64	2-3/4	4-3/4	2	0.54	6	1	800
5"	HRC-HD05	750	3.02	3-1/2	5-3/4	3	0.54	8	1	700
6"	HRC-HD06	1,070	5.29	4	6-7/8	3-1/8	0.54	9	1	400
8"	HRC-HD08	1,350	7.58	5-1/8	8-7/8	3-3/8	0.67	12	1	280
10"	HRC-HD10	1,730	13	6-3/8	11	5-1/4	0.67	14-1/2	1	160
12"	HRC-HD12	2,400	19	7-1/2	12-1/2	5-1/2	0.67	16-1/2	1	110
14"	HRC-HD14	3,130	28.04	8-3/8	14-3/8	6-1/2	0.67	18	1	70
16"	HRC-HD16	3,970	37.61	9-1/2	16-3/8	8-1/4	0.67	20-1/2	1	50



PIPE ROLLER W/ SOCKET

Designed for suspension of pipe from two rods

- Maximum temperature 450° F
- Complies with Federal Specification A-A-1192A Type 41, WW-H-171-E Type 42, ANSI/MSS SP-69 and MSS SP-58 Type 41
- Provides for vertical adjustment; nut at bottom of hanger rod fits into the socket preventing loosening or turning due to vibration.

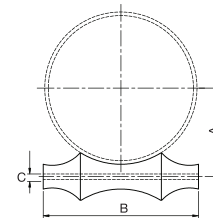
Sizes: 2" - 16"

Material: Steel

Finish: Hot Dipped Galvanized

Approvals: Complies with ANSI/MSS SP-69
MSS SP-58 Type 41, A-A-1192A
Type 41, WW-H-171-E Type 42

SIZE INCHES	ITEM GALVANIZED	MAX LOAD	WEIGHT	A	B	C	D	EACH	PALLET QTY
2"	HRSA-HD02	600	0.55	1-5/8	2-7/8	4-1/2	1/2	1	3850
3"	HRSA-HD03	700	1.09	2-1/4	3/3/4	5-9/16	5/8	1	1950
4"	HRSA-HD04	750	1.6	3-3/4	4-3/4	6-3/4	3/4	1	1300
5"	HRSA-HD05	750	2.34	3-1/2	5-3/4	8-3/8	13/16	1	900
6"	HRSA-HD06	1,070	3.99	4	6-7/8	9-7/8	7/8	1	520
8"	HRSA-HD08	1,350	5.95	5-1/8	8-7/8	12	1	1	350
10"	HRSA-HD10	1,730	8.49	6-3/8	11	14	1	1	250
12"	HRSA-HD12	2,400	13.23	7-1/2	12-1/2	16-1/5	1	1	160
14"	HRSA-HD14	3,130	21.77	8-3/8	14-3/8	17-3/4	1-1/8	1	80
16"	HRSA-HD16	3,970	29.99	9-1/2	16-3/8	20-3/4	1-1/8	1	70



PIPE ROLLER REPLACEMENT

Replacement Pipe Roller Coupling

- Maximum temperature 450° F
- Complies with Federal Specification A-A-1192A, WW-H-171-E, ANSI/MSS SP-69 and MSS SP-58
- For use to replace Roller on Clevis Roller Hangers, Pipe Roller Chairs, & Pipe Rollers with Socket.

Sizes: 2" - 16"

Material: Steel

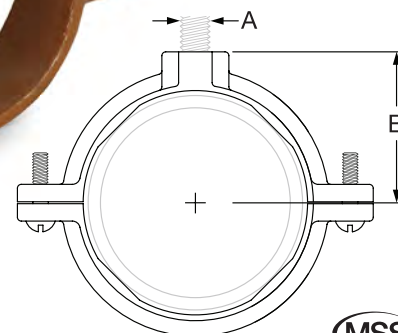
Finish: Hot Dipped Galvanized

Approvals: Complies with ANSI/MSS SP-69
MSS SP-58, A-A-1192A
WW-H-171-E

SIZE INCHES	ITEM GALVANIZED	MAX LOAD	WEIGHT	A	B	C	EACH	PALLET QTY
2"	HRSP-HD02	200	0.2	1-5/8	2-7/8	7/16	1	10500
3"	HRSP-HD03	200	0.4	2-1/4	3-3/4	9/16	1	5090
4"	HRSP-HD04	300	0.6	2-3/4	4-3/4	9/16	1	2520
5"	HRSP-HD05	300	0.95	3-1/2	5-3/4	11/16	1	1820
6"	HRSP-HD06	300	1.32	4	6-7/8	13/16	1	1200
8"	HRSP-HD08	300	2.71	4	8-7/8	15/16	1	650
10"	HRSP-HD10	400	4.64	6-3/8	11	15/16	1	360
12"	HRSP-HD12	400	8.38	7-1/2	12-1/2	1-1/16	1	230
14"	HRSP-HD14	450	13.13	8-3/8	14-3/8	1-1/4	1	130
16"	HRSP-HD16	550	16.51	9-1/2	16-3/8	1-3/8	1	100



EPOXY COATED
PROTECTIVE SHIELD SYSTEM



2PC SPLIT RING HANGERS

Designed for suspending tubing horizontally or vertically

- Allows installation before or after pipe is in place
- Smoothly connects to threaded rod
- Allows for piping to run close to ceiling or walls
- Interior design provides firm grip on pipe
- Complies with Federal Specification WW-H-171E & A-A-1192A Type 25, Manufacturers Standardization Society (MSS) SP-69 & SP-58 Type 12

Sizes: 3/8" - 4"

Material: Malleable Iron

Finish: Plain, Galvanized & Copper Coated

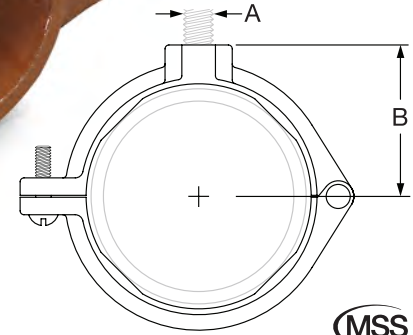
Approvals: Complies with MSS SP-69 & SP-58 Type 12, WW-H-171E & A-A-1192A Type 25

SIZE INCHES	ITEM PLAIN	ITEM GALVANIZED	MAX LOAD	WEIGHT LBS	A ROD SIZE	B	INNER BOX	MASTER BOX	PALLET QTY
3/8"	HST-B38	HST-G38	180	0.12	3/8	5/8	10	100	4800
1/2"	HST-B12	HST-G12	180	0.14	3/8	7/8	10	100	4800
3/4"	HST-B34	HST-G34	180	0.16	3/8	1	10	100	4800
1"	HST-B01	HST-G01	180	0.18	3/8	1-1/8	10	100	4800
1-1/4"	HST-B114	HST-G114	180	0.22	3/8	1-5/16	5	50	2400
1-1/2"	HST-B112	HST-G112	180	0.38	3/8	1-7/16	5	50	2400
2"	HST-B02	HST-G02	180	0.44	3/8	1-11/16	5	50	2400
2-1/2"	HST-B212	HST-G212	300	0.45	1/2	2-1/8	5	50	2400
3"	HST-B03	HST-G03	300	0.55	1/2	2-7/16	5	50	2400
4"	HST-B04	HST-G04	300	0.70	1/2	3-11/32	5	25	1200

SIZE INCHES	ITEM COPPER EPOXY COATED	MAX LOAD	WEIGHT LBS	A ROD SIZE	B	INNER BOX	MASTER BOX	PALLET QTY
3/8"	HST-CP38	180	0.12	3/8	5/8	10	100	4800
1/2"	HST-CP12	180	0.14	3/8	7/8	10	100	4800
3/4"	HST-CP34	180	0.16	3/8	1	10	100	4800
1"	HST-CP01	180	0.18	3/8	1-1/8	10	100	4800
1-1/4"	HST-CP114	180	0.22	3/8	1-5/16	5	50	2400
1-1/2"	HST-CP112	180	0.38	3/8	1-7/16	5	50	2400
2"	HST-CP02	180	0.44	3/8	1-11/16	5	50	2400
2-1/2"	HSH-CP12	300	0.45	1/2	2-1/8	5	50	2400
3"	HST-CP03	300	0.55	1/2	2-7/16	5	50	2400
4"	HST-CP04	300	0.70	1/2	3-11/32	5	25	1200



EPOXY COATED
PROTECTIVE SHIELD SYSTEM



HINGED SPLIT RING HANGERS

HINGED SPLIT RING HANGERS

Designed for suspending tubing horizontally or vertically

- Allows installation before or after pipe is in place
- Smoothly connects to threaded rod
- Allows for piping to run close to ceiling or walls
- Rapid installation assured by hinged design and single closure screw
- Interior design provides firm grip on pipe
- Complies with Federal Specification WW-H-171E & A-A-1192A Type 25, Manufacturers Standardization Society (MSS) SP-69 & SP-58 Type 12

Sizes: 3/8" - 4"

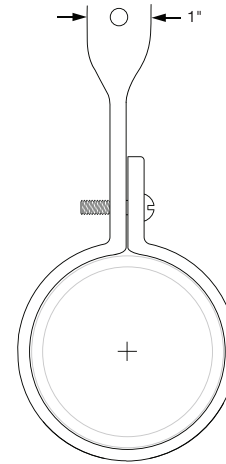
Material: Malleable Iron

Finish: Plain, Galvanized & Copper Coated

Approvals: Complies with MSS SP-69 & SP-58 Type 12, WW-H-171E & A-A-1192A Type 25

SIZE INCHES	ITEM PLAIN	ITEM GALVANIZED	MAX LOAD	WEIGHT LBS	A ROD SIZE	B	INNER BOX	MASTER BOX	PALLET QTY
3/8"	HSH-B38	HSH-G38	180	0.12	3/8	5/8	10	100	4800
1/2"	HSH-B12	HSH-G12	300	0.13	3/8	7/8	10	100	4800
3/4"	HSH-B34	HSH-G34	300	0.15	3/8	1	10	100	4800
1"	HSH-B01	HSH-G01	300	0.17	3/8	1-1/8	10	100	4800
1-1/4"	HSH-B114	HSH-G114	300	0.28	3/8	1-5/16	5	50	2400
1-1/2"	HSH-B112	HSH-G112	300	0.29	3/8	1-7/16	5	50	2400
2"	HSH-B02	HSH-G02	300	0.32	3/8	1-11/16	5	50	2400
2-1/2"	HSH-B212	HSH-G212	600	0.39	1/2	2-1/8	5	50	2400
3"	HSH-B03	HSH-G03	600	0.48	1/2	2-7/16	5	50	2400
4"	HSH-B04	HSH-G04	600	1.06	1/2	2-7/8	5	25	1200

SIZE INCHES	ITEM COPPER EPOXY COATED	MAX LOAD	WEIGHT LBS	A ROD SIZE	B	INNER BOX	MASTER BOX	PALLET QTY
3/8"	HSH-CP38	180	0.12	3/8	5/8	10	100	4800
1/2"	HSH-CP12	300	0.13	3/8	7/8	10	100	4800
3/4"	HSH-CP34	300	0.15	3/8	1	10	100	4800
1"	HSH-CP01	300	0.17	3/8	1-1/8	10	100	4800
1-1/4"	HSH-CP114	300	0.28	3/8	1-5/16	5	50	2400
1-1/2"	HSH-CP112	300	0.29	3/8	1-7/16	5	50	2400
2"	HSH-CP02	300	0.32	3/8	1-11/16	5	50	2400
2-1/2"	HSH-CP212	600	0.39	1/2	2-1/8	5	50	2400
3"	HSH-CP03	600	0.48	1/2	2-7/16	5	50	2400
4"	HSH-CP04	600	1.06	1/2	2-7/8	5	25	1200



DWV HANGERS

Allows vertical adjustment of pipe installation

- Designed for rapid installation of DWV piping systems
- Locking screw keeps pipe secure

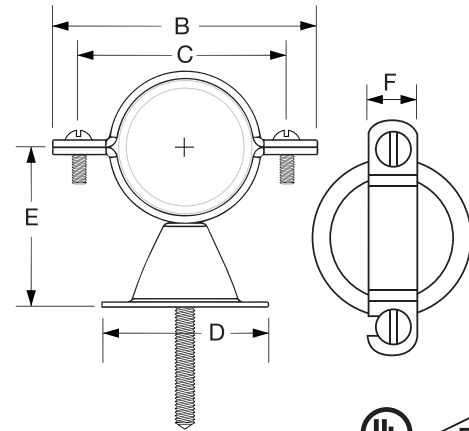
Sizes: 1/2" - 4"

Material: Steel

Finish: Galvanized

Approvals:

SIZE INCHES	ITEM PLASTIC COATED	MAX LOAD	WEIGHT	MATERIAL WIDTH	INNER BOX	MASTER BOX	PALLET QTY
1-1/2"	HDW-P112	150	0.28	1"	50	50	2400
2"	HDW-P02	150	0.32	1"	50	50	2400
3"	HDW-P03	150	0.35	1"	50	50	2400
4"	HDW-P04	150	0.40	1"	50	50	2400



BELL HANGERS

Designed for suspending tubing horizontally or vertically

- Includes 2 clamp screws and 1 mounting screw
- Mounting pierce screw point to penetrate metal studs
- Provides 13/16" standoff

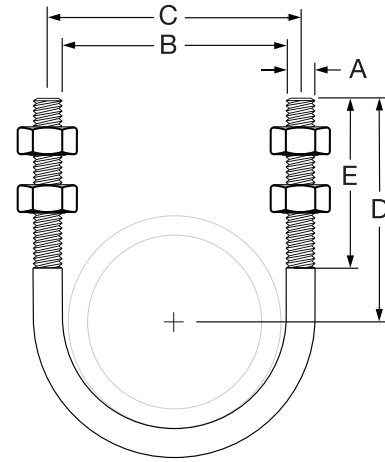
Sizes: 1/2"- 1"

Material: Steel

Finish: Copper Plated

Approvals: FM, UL

SIZE INCHES	ITEM COPPER	A TUBE O.D.	B	C	D	E	F	INNER BOX	MASTER BOX	PALLET QTY
1/2"	HBE-CP12	3/8	2-3/16	1-9/16	1-5/8	1-1/16	1/2	10	50	2400
3/4"	HBE-CP34	3/8	2-3/8	1-3/4	1-5/8	1-3/16	1/2	10	50	2400
1"	HBE-CP01	3/8	2-7/16	1-7/8	1 5/8	1-5/16	1/2	10	50	2400



U-BOLTS WITH HEX NUTS

Designed as a support, anchor, or guide for various pipe.

- Electro Galvanized Finish
- Includes 4 Finished Hex Nuts
- Complies with Federal Specification WW-H-171E Type 24, Manufacturers Standardization Society (MSS) SP-69 Type 24

Sizes: 1/2" - 6"

Material: Carbon Steel

Finish: Electro Galvanized

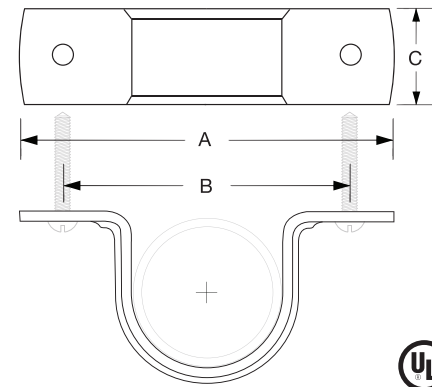
Approvals: Complies with MSS SP-69 Type 24, WW-H-171 Type 24

LIGHT DUTY U-BOLTS WITH HEX NUTS

PIPE SIZE INCHES	ITEM ELECTRO GALVANIZED	MAX LOAD	WEIGHT LBS	BOLT SIZE	A ROD SIZE	B	C	D	E	INNER BOX	MASTER BOX	PALLET QTY
1/2"	BUS-GE1238	580	0.10	3/8"	1/4	15/16	1-3/16	1-3/16	2-1/8	10	100	4800
3/4"	BUS-GE3438	580	0.10	3/8"	1/4	1-1/8	1-3/8	1-3/8	2-1/8	10	100	4800
1"	BUS-GE0138	580	0.11	3/8"	1/4	1-5/8	1-5/8	1-5/8	2-1/8	10	100	4800
1-1/4"	BUS-GE11438	1460	0.28	3/8"	3/8	3/8	2-1/16	2-1/16	2-1/8	10	100	4800
1-1/2"	BUS-GE11238	1460	0.30	3/8"	3/8	3/8	2-3/8	2-3/8	2-1/2	10	100	4800
2"	BUS-GE0238	1460	0.32	3/8"	3/8	3/8	2-13/16	2-13/16	2-1/2	10	100	4800
2-1/2"	BUS-GE21238	2700	0.71	3/8"	1/2	2-15/16	3-7/16	3-7/16	3	10	100	4800
3"	BUS-GE0338	2700	0.78	3/8"	1/2	3-9/16	4-1/6	4-1/6	3	10	100	4800
3-1/2"	BUS-GE31238	2700	0.85	5/16"	1/2	4-1/16	4-9/16	4-1/6	3	10	100	4800
4"	BUS-GE0438	2700	0.90	3/8"	1/2	4-9/16	5-1/16	5-1/16	3	10	90	4320
5"	BUS-GE0512	2700	1.00	1/2"	1/2	5-5/8	6-1/8	6-1/8	3	10	40	1920
6"	BUS-GE0612	4320	1.95	1/2"	5/8	6-3/4	7-3/8	7-3/8	3-3/4	10	35	1680

STANDARD U-BOLTS WITH HEX NUTS

PIPE SIZE INCHES	ITEM ELECTRO GALVANIZED	MAX LOAD	WEIGHT LBS	BOLT SIZE	A ROD SIZE	B	C	D	E	INNER BOX	MASTER BOX	PALLET QTY
1/2"	BUS-G12516	580	0.10	5/16"	1/4	15/16	1-3/16	1-3/16	2-1/8	10	100	4800
3/4"	BUS-GE34516	580	0.10	5/16"	1/4	1-1/8	1-3/8	1-3/8	2-1/8	10	100	4800
1"	BUS-GE01516	580	0.11	5/16"	1/4	1-5/8	1-5/8	1-5/8	2-1/8	10	100	4800
1-1/4"	BUS-GE114516	1460	0.28	5/16"	3/8	3/8	2-1/16	2-1/16	2-1/8	10	100	4800
1-1/2"	BUS-GE112516	1460	0.30	5/16"	3/8	3/8	2-3/8	2-3/8	2 1/2	10	100	4800
2"	BUS-GE02516	1460	0.32	5/16"	3/8	3/8	2-13/16	2-13/16	2-1/2	10	100	4800
2-1/2"	BUS-GE212516	580	0.10	5/16"	1/4	15/16	1-3/16	1-3/16	2-1/8	10	100	4800
3"	BUS-GE3516	2700	0.78	5/16"	1/2	3-9/16	4-1/6	4-1/6	3	10	100	4800
3-1/2"	BUS-GE312516	2700	0.85	5/16"	1/2	4-1/16	4-9/16	4-1/6	3	10	100	4800
4"	BUS-GE04516	2700	0.90	5/16"	1/2	4-9/16	5-1/16	5-1/16	3	10	100	4800
5"	BUS-GE0538	2700	1.00	3/8"	1/2	5-5/8	6-1/8	6-1/8	3	10	70	3360
6"	BUS-GE0638	4320	1.95	3/8"	5/8	6-3/4	7-3/8	7-3/8	3-3/4	10	60	2880



CPVC 2 HOLE STRAPS

Supports pipe lines running next to walls or beams

- Contains retainer dimples to secure hanger to pipe during installation
- Attaches quickly and easily to wood structures with 2 #10 x 1" Hex head screws
- 1/4" Diameter hole for mounting

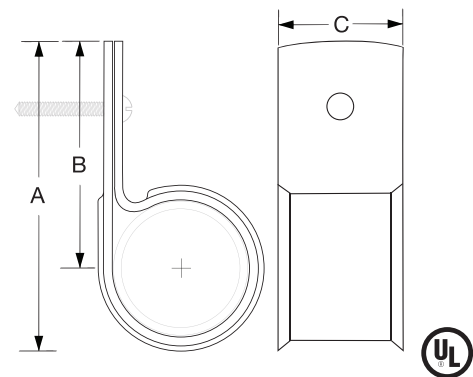
Sizes: 3/4" - 2"

Material: Carbon Steel

Finish: Galvanized

Approvals: UL

SIZE INCHES	ITEM GALVANIZED	MAX SPACING	WEIGHT	A	B	C	NOMINAL PIPE SIZE	INNER BOX	MASTER BOX	PALLET QTY
3/4"	CPST-G34	5'-6"	0.075	3-1/4	2-1/4	1	1.05	10	100	6400
1"	CPST-G01	6'-0"	0.82	3-17/32	2-17/32	1	1.315	10	100	6400
1-1/4"	CPST-G114	6'-6"	0.94	4-15/64	3-1/4	1	1.66	10	100	4800
1-1/2"	CPST-G112	7'-0"	0.104	4-7/16	3-7/16	1	1.9	10	100	4800
2"	CPST-G02	8'-0"	0.119	4-15/16	3-15/16	1	2.375	10	100	4800



CPVC WRAP AROUND STRAPS

Supports pipe lines running next to walls or beams

- Designed with flared edges to protect piping
- Attaches quickly and easily to wood structures with 1 #10 x 1" Hex head screws
- 1/4" Diameter hole for mounting

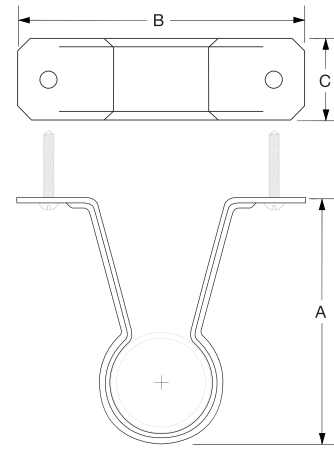
Sizes: 3/4" - 2"

Material: Carbon Steel

Finish: Galvanized

Approvals: UL

SIZE INCHES	ITEM GALVANIZED	MAX SPACING	WEIGHT	A	B	C	NOMINAL PIPE SIZE	INNER BOX	MASTER BOX	PALLET QTY
3/4"	CPSW-G34	5'-6"	0.087	2-3/8	1-1/4	1-3/16	1.05	10	100	6400
1"	CPSW-G01	6'-0"	0.094	2-11/16	1-7/16	1-3/16	1.315	10	100	6400
1-1/4"	CPSW-G114	6'-6"	0.11	3-1/16	1-5/8	1-3/16	1.66	10	100	4800
1-1/2"	CPSW-G112	7'-0"	0.119	3-5/16	1-3/4	1-3/16	1.9	10	100	4800
2"	CPSW-G02	8'-0"	0.141	3-11/16	1-7/8	1-3/16	2.375	10	100	2400



CPVC STAND OFF STRAPS

Supports pipe lines running next to walls or beams

- Designed with flared edges to protect piping
- Attaches quickly and easily to wood structures with 2 #10 x 1" Hex head screws

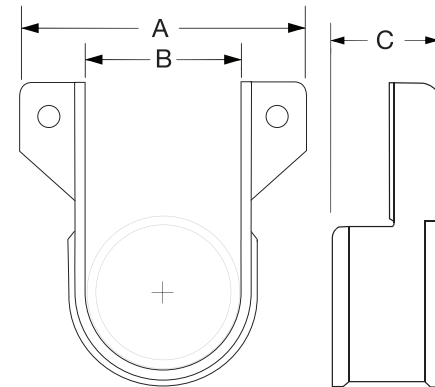
Sizes: 3/4" - 2"

Material: Carbon Steel

Finish: Galvanized

Approvals: UL

SIZE INCHES	ITEM GALVANIZED	MAX SPACING	WEIGHT	A	B	C	NOMINAL PIPE SIZE	INNER BOX	MASTER BOX	PALLET QTY
3/4"	CPSS-G34	5'-6'	0.121	2-11/16	3-1/4	1	1.05	10	100	6400
1"	CPSS-G01	6'-0'	0.128	2-15/16	3-1/4	1	1.315	10	100	6400
1-1/4"	CPSS-G114	6'-6'	0.141	3-5/16	4-1/8	1	1.66	10	100	4800
1-1/2"	CPSS-G112	7'-0'	0.152	3-9/16	4-1/2	1	1.9	10	100	4800
2"	CPSS-G02	8'-0'	0.164	4-1/16	5	1	2.375	10	100	4800



CPVC SIDE MOUNT STRAPS

Supports pipes running horizontally on the side of beams

- Contains retainer dimples to secure hanger to pipe during installation
- Designed with flared edges to protect piping
- Attaches quickly and easily to wood structures with 2 #10 x 1" Hex head screws

Sizes: 3/4" - 2"

Material: Carbon Steel

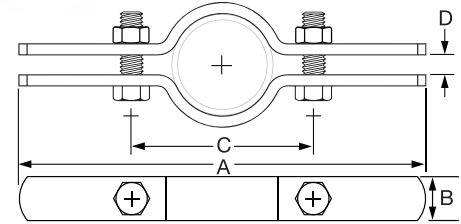
Finish: Galvanized

Approvals: UL

SIZE INCHES	ITEM GALVANIZED	MAX SPACING	WEIGHT	A	B	C	NOMINAL PIPE SIZE	INNER BOX	MASTER BOX	PALLET QTY
3/4"	CPSM-G34	5'-6'	0.85	2-1/3	1-11/16	1-3/16	1.05	10	100	6400
1"	CPSM-G01	6'-0'	0.094	2-19/32	1-15/16	1-3/16	1.315	10	100	6400
1-1/4"	CPSM-G114	6'-6'	0.104	3	2-5/16	1-3/16	1.66	10	100	4800
1-1/2"	CPSM-G112	7'-0'	0.113	3-1/5	2-1/2	1-3/16	1.9	10	100	4800
2"	CPSM-G02	8'-0'	0.132	3-5/8	3	1-3/16	2.375	10	100	4800



RISER CLAMPS



STANDARD PLAIN & PLASTIC RISER CLAMPS



Designed for supporting and stabilizing vertical pipe

- Maximum temperature Plain 650° F, Galvanized 450° F
- Designed for standard iron pipe
- Underwriters Laboratories Listed (UL) and Factory Mutual Approved (FM)
- Complies with Federal Specifications A-A-1192A Type 8, Manufacturers Standardization Society (MSS) ANSI/SP-69 and SP-58 Type 8

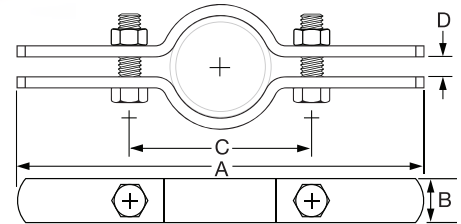
Sizes: 1/2" - 14"

Material: Carbon Steel

Finish: Plain & Plastic Coated

Approvals: UL, FM, Complies with A-A-1192A Type 8, ANSI/SP-69 & SP-58 Type 8

SIZE INCHES	ITEM PLAIN BLACK	ITEM PLASTIC COATED	MAX LOAD	WEIGHT LBS	A LENGTH	B WIDTH	C DISTANCE	D SPACE	BOLT SIZE	TORQUE VALUES	INNER BOX	MASTER BOX	PALLET QTY
1/2"	CLRS-PL12	CLRS-P12	220	0.8	8-1/2	1	2-5/16	3/8	3/8	19	10	50	2400
3/4"	CLRS-PL34	CLRS-P34	220	0.8	8-15/16	1	2-11/16	3/8	3/8	19	10	50	2400
1"	CLRS-PL01	CLRS-P01	220	1.04	8-15/16	1	2-51/64	3/8	3/8	19	10	50	2400
1-1/4"	CLRS-PL114	CLRS-P114	250	1.06	9-29/64	1	3-17/64	3/8	3/8	19	10	50	2400
1-1/2"	CLRS-PL112	CLRS-P112	250	1.08	9-7/8	1	3-49/64	3/8	3/8	19	10	50	2400
2"	CLRS-PL02	CLRS-P02	300	1.16	10-1/4	1-3/16	4-11/64	1/2	3/8	19	-	25	1200
2-1/2"	CLRS-PL212	CLRS-P212	400	1.32	11-1/64	1-3/16	4-7/8	1/2	3/8	19	-	25	1200
3"	CLRS-PL03	CLRS-P03	500	1.56	11-3/4	1-3/16	5-1/2	1/2	3/8	19	-	25	1200
3-1/2"	CLRS-PL312	-	600	1.7	12-41/64	1-3/16	6-1/2	1/2	3/8	19	-	20	720
4"	CLRS-PL04	CLRS-P04	750	1.7	13	1-3/16	6-39/64	1/2	1/2	50	-	20	720
5"	CLRS-PL05	CLRS-P05	1500	3.45	14-31/64	2	8-17/64	1/2	1/2	50	-	15	540
6"	CLRS-PL06	CLRS-P06	1600	3.7	15-63/64	2	9-39/64	1/2	1/2	50	-	10	360
8"	CLRS-PL08	CLRS-P08	2500	7.4	18-1/4	2	12-15/64	5/8	5/8	50	-	5	120
10"	CLRS-PL010	-	2500	11	20-5/8	2	14-39/64	5/8	5/8	65	-	-	120
12"	CLRS-PL012	-	2700	16.25	22-57/64	2	17-1/8	5/8	5/8	65	-	-	100
14"	CLRS-PL014	-	2700	17	24-31/64	2	18-17/64	5/8	5/8	65	-	-	60



STANDARD ELECTRO GALVANIZED & GALVANIZED



Designed for supporting and stabilizing vertical pipe

- Maximum temperature Plain 650° F, Galvanized 450° F
- Designed for standard iron pipe
- Underwriters Laboratories Listed (UL) and Factory Mutual Approved (FM)
- Complies with Federal Specifications A-A-1192A Type 8, Manufacturers Standardization Society (MSS) ANSI/SP-69 and SP-58 Type 8

Sizes: 1/2" - 16"

Material: Carbon Steel

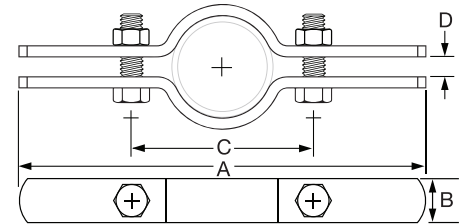
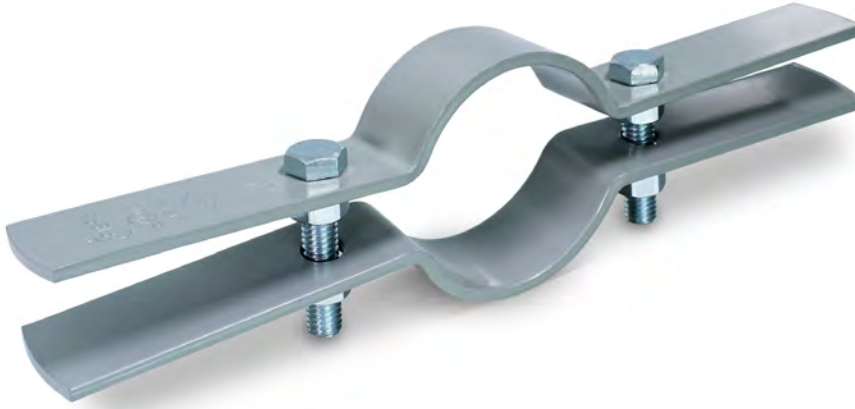
Finish: Electro Galvanized & Galvanized

Approvals: UL, FM, Complies with A-A-1192A Type 8, ANSI/SP-69 & SP-58 Type 8

SIZE INCHES	ITEM ELECTRO GALVANIZED	ITEM GALVANIZED	MAX LOAD LBS	WEIGHT LBS	A LENGTH	B WIDTH	C DISTANCE	D SPACE	BOLT SIZE	TORQUE VALUES	INNER BOX	MASTER BOX	PALLET QTY
1/2"	CLRS-GE12	CLRS-G12	220	0.8	8-1/2	1	2-5/16	3/8	3/8	19	10	50	2400
3/4"	CLRS-GE34	CLRS-G34	220	0.8	8-15/16	1	2-11/16	3/8	3/8	19	10	50	2400
1"	CLRS-GE01	CLRS-G01	220	1.04	8-15/16	1	2-51/64	3/8	3/8	19	10	50	2400
1-1/4"	CLRS-GE114	CLRS-G114	250	1.06	9-29/64	1	3-17/64	3/8	3/8	19	10	50	2400
1 1/2"	CLRS-GE112	CLRS-G112	250	1.08	9-7/8	1	3-49/64	3/8	3/8	19	10	50	2400
2"	CLRS-GE02	CLRS-G02	300	1.16	10-1/4	1-3/16	4-11/64	1/2	3/8	19	-	25	1200
2-1/2"	CLRS-GE212	CLRS-G212	400	1.32	11-1/64	1-3/16	4-7/8	1/2	3/8	19	-	25	1200
3"	CLRS-GE03	CLRS-G03	500	1.56	11-3/4	1-3/16	5-1/2	1/2	3/8	19	-	25	1200
3-1/2"	CLRS-GE312	CLRS-G312	600	1.7	12-41/64	1-3/16	6-1/2	1/2	3/8	19	-	20	720
4"	CLRS-GE04	CLRS-G04	750	1.7	13	1-3/16	6-39/64	1/2	1/2	50	-	20	720
5"	CLRS-GE05	CLRS-G05	1500	3.45	14-31/64	2	8-17/64	1/2	1/2	50	-	15	540
6"	CLRS-GE06	CLRS-G06	1600	3.7	15-63/64	2	9-39/64	1/2	1/2	50	-	10	360
8"	CLRS-GE08	CLRS-G08	2500	7.4	18-1/4	2	12-15/64	5/8	5/8	50	-	5	120
10"	CLRS-GE010	CLRS-G010	2500	11	20-5/8	2	14-39/64	5/8	5/8	65	-	-	120
12"	CLRS-GE012	CLRS-G012	2700	16.25	22-57/64	2	17-1/8	5/8	5/8	65	-	-	100
14"	CLRS-GE014	CLRS-G014	2700	17	24-31/64	2	18-17/64	5/8	5/8	65	-	-	60
16"	CLRS-GE016	CLRS-G016	3200	18.50	27-1/64	2-1/2	20-63/64	3/4	3/4	150	-	-	60



EPOXY COATED
PROTECTIVE SHIELD SYSTEM



STANDARD EPOXY COATED RISER CLAMPS



Designed for supporting and stabilizing vertical pipe

- Maximum temperature Epoxy Coated 450° F
- Designed for standard iron and copper pipe
- Underwriters Laboratories Listed (UL) and Factory Mutual Approved (FM)
- Complies with Federal Specifications A-A-1192A Type 8, Manufacturers Standardization Society (MSS) ANSI/SP-69 and SP-58 Type 8

Sizes: 1/2" - 14"

Material: Carbon Steel

Finish: Epoxy Coated

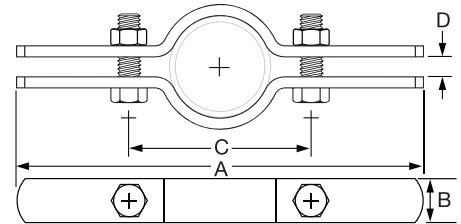
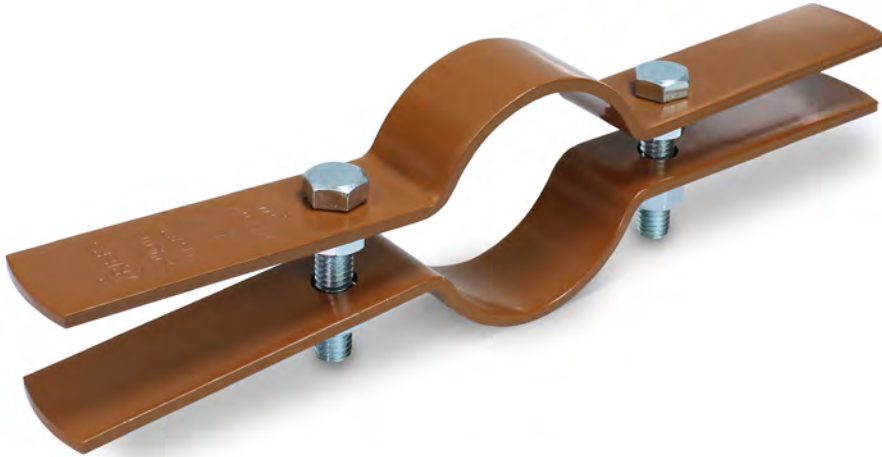
Approvals: UL, FM, Complies with A-A-1192A Type 8, ANSI/SP-69 & SP-58 Type 8

SIZE INCHES	ITEM EPOXY COATED	MAX LOAD LBS	WEIGHT LBS	A LENGTH	B WIDTH	C DISTANCE	D SPACE	BOLT SIZE	TORQUE VALUES	INNER BOX	MASTER BOX	PALLET QTY
1/2"	CLRS-EP12	220	0.8	8-1/2	1	2-5/16	3/8	3/8	19	10	50	2400
3/4"	CLRS-EP34	220	0.8	8-15/16	1	2-11/16	3/8	3/8	19	10	50	2400
1"	CLRS-EP01	220	1.04	8-15/16	1	2-51/64	3/8	3/8	19	10	50	2400
1-1/4"	CLRS-EC114	250	1.06	9-29/64	1	3-17/64	3/8	3/8	19	10	50	2400
1-1/2"	CLRS-EP112	250	1.08	9-7/8	1	3-49/64	3/8	3/8	19	10	50	2400
2"	CLRS-EP02	300	1.16	10-1/4	1-3/16	4-11/64	1/2	3/8	19	-	25	1200
2-1/2"	CLRS-EP212	400	1.32	11-1/64	1-3/16	4-7/8	1/2	3/8	19	-	25	1200
3"	CLRS-EP03	500	1.56	11-3/4	1-3/16	5-1/2	1/2	3/8	19	-	25	1200
4"	CLRS-EP04	750	1.7	13	1-3/16	6-39/64	1/2	1/2	50	-	20	720
5"	CLRS-EP05	1500	3.45	14-31/64	2	8-17/64	1/2	1/2	50	-	20	720
6"	CLRS-EP06	1600	3.7	15-63/64	2	9-39/64	1/2	1/2	50	-	10	360
8"	CLRS-EP08	2500	7.4	18-1/4	2	12-15/64	5/8	5/8	50	-	5	120
10"	CLRS-EP010	2500	11	20-5/8	2	14-39/64	5/8	5/8	65	-	-	120
12"	CLRS-EP012	2700	16.25	22-57/64	2	17-1/8	5/8	5/8	65	-	-	100
14"	CLRS-EP014	2700	17	24-31/64	2	18-17/64	5/8	5/8	65	-	-	60



EPOXY COATED
PROTECTIVE SHIELD SYSTEM

RISER CLAMPS



STANDARD COPPER EPOXY COATED RISER CLAMPS



Designed for supporting and stabilizing vertical pipe

- Maximum temperature Plain 650° F, Galvanized 450° F
- Designed for standard iron and copper pipe
- Underwriters Laboratories Listed (UL) and Factory Mutual Approved (FM)
- Complies with Federal Specifications A-A-1192A Type 8, Manufacturers Standardization Society (MSS) ANSI/SP-69 and SP-58 Type 8

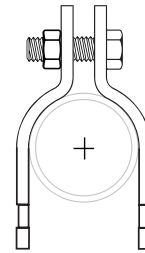
Sizes: 1/2" - 6"

Material: Carbon Steel

Finish: Copper Epoxy Coated

Approvals: UL, FM, Complies with A-A-1192A Type 8, ANSI/SP-69 & SP-58 Type 8

SIZE INCHES	ITEM COPPER EPOXY COATED	MAX LOAD LBS	WEIGHT LBS	A LENGTH	B WIDTH	C DISTANCE	D SPACE	BOLT SIZE	TORQUE VALUES	INNER BOX	MASTER BOX	PALLET QTY
1/2"	CLRS-EC12	220	0.8	8-1/2	1	2-21/64	15/64	3/8	19	10	50	2400
3/4"	CLRS-EC34	220	0.8	8-15/16	1	2-43/64	15/64	3/8	19	10	50	2400
1"	CLRS-EC01	220	1.04	8-15/16	1	2-51/64	25/64	3/8	19	10	50	2400
1-1/4"	CLRS-EC114	250	1.06	9-29/64	1	3-17/64	25/64	3/8	19	10	50	2400
1-1/2"	CLRS-EC112	250	1.08	9-7/8	1	3-47/64	5/8	3/8	19	10	50	2400
2"	CLRS-EC02	300	1.16	10-15/64	1-3/16	4-11/64	25/32	3/8	19	-	25	1200
2-1/2"	CLRS-EC212	400	1.32	11-1/32	1-3/16	4-7/8	25/32	3/8	19	-	25	1200
3"	CLRS-EC03	500	1.56	11-47/64	1-3/16	5-33/64	25/32	3/8	19	-	25	1200
4"	CLRS-EC04	750	1.7	12-63/64	1-3/16	6-39/64	25/32	1/2	50	-	20	720
5"	CLRS-EC05	1500	3.45	14-31/64	2	8-17/64	25/32	1/2	50	-	15	540
6"	CLRS-EC06	1600	3.7	15-63/64	2	9-39/64	25/32	1/2	50	-	10	360



ELECTRO GALVANIZED & COPPER COATED STRUT CLAMP

Designed to support and tighten pipe to struts

- Mounting pierce screw point to penetrate metal studs
- Easy one tool installation
- Includes captive combo head machine screw
- Secures tubing firmly to strut channel
- Interlock edges and channel locator legs help ensure that pipe remains in place

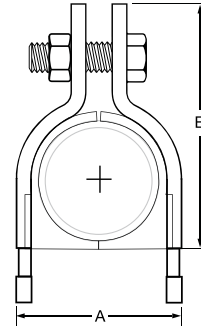
Sizes: 3/8" - 8" in Electro Galvanized
3/8" - 6" in Copper Plated

Material: Steel

Finish: Electro Galvanized & Copper Plated

SIZE INCHES	ITEM ELECTRO GALVANIZED	PIPE SIZE OD MM	MAX LOAD	THICKNESS S MM	BOLT SIZE	INNER BOX	MASTER BOX	PALLET QTY
3/8"	CLST-GE38	17.1	400	1.60	1/4-20	10	100	6400
1/2"	CLST-GE12	21.3	400	1.60	1/4-20	10	100	6400
3/4"	CLST-GE34	26.7	600	1.90	1/4-20	10	100	6400
1"	CLST-GE01	33.4	600	1.90	1/4-20	10	100	6400
1-1/4"	CLST-GE114	42.2	600	1.90	1/4-20	10	100	6400
1-1/2"	CLST-GE112	48.3	600	2.50	1/4-20	10	50	3200
2"	CLST-GE02	60.3	600	2.50	1/4-20	10	50	3200
2-1/2"	CLST-GE212	73.0	800	2.50	5/16-18	-	50	3200
3"	CLST-GE03	88.9	800	2.50	5/16-18	-	50	3200
3-1/2"	CLST-GE312	101.6	800	2.90	5/16-18	-	25	1600
4"	CLST-GE04	114.3	1000	3.20	3/8-16	-	25	1600
5"	CLST-GE05	141.3	800	3.20	3/8-16	-	25	1600
6"	CLST-GE06	168.3	800	3.20	3/8-16	-	25	1600
8"	CLST-GE08	219.3	1000	3.20	3/8-16	-	20	1280

SIZE INCHES	ITEM COPPER COATED	PIPE SIZE OD MM	MAX LOAD	THICKNESS S MM	BOLT SIZE	INNER BOX	MASTER BOX	PALLET QTY
3/8"	CLST-CP38	12.7	400	1.60	1/4-20	10	100	6400
1/2"	CLST-CP12	15.8	400	1.60	1/4-20	10	100	6400
3/4"	CLST-CP34	22.2	400	1.90	1/4-20	10	100	6400
1"	CLST-CP01	28.6	600	1.90	1/4-20	10	100	6400
1-1/4"	CLST-CP114	34.9	600	1.90	1/4-20	10	100	6400
1-1/2"	CLST-CP112	41.3	600	2.50	1/4-20	10	50	3200
2"	CLST-CP02	54	600	2.50	1/4-20	10	50	3200
2-1/2"	CLST-CP212	66.7	800	2.50	5/16-18	-	50	3200
3"	CLST-CP03	79.4	800	2.50	5/16-18	-	50	3200
3-1/2"	CLST-CP312	92.1	800	2.90	5/16-18	-	25	1600
4"	CLST-CP04	104.8	1000	3.20	3/8-16	-	25	1600
5"	CLST-CP312	92.1	1000	2.90	3/8-16	-	25	1600
6"	CLST-CP04	104.8	1000	3.20	3/8-16	-	25	1600



CUSHION STRUT CLAMP

Designed to support and tighten pipe to struts

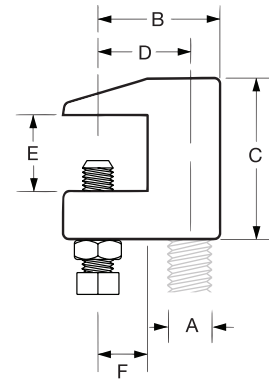
- Mounting pierce screw point to penetrate metal studs
- Easy one tool installation
- Includes captive combo head machine screw
- Secures tubing firmly to strut channel
- Interlock edges and channel locator legs help ensure that pipe remains in place

Sizes: 1/2" - 4-1/8"

Material: Steel

Finish: Yellow Di-Chromate

SIZE INCHES	ITEM YELLOW ZINC	COPPER PIPE NOMINAL SIZE	MAX LOAD	THICKNESS S MM	WEIGHT	A	B	BOLT SIZE	INNER BOX	MASTER BOX	PALLET QTY
3/8"	CLSC-YZ38	1/4	400	1.5	0.10	0.82	1.13	1/4-20	25	100	10400
1/2"	CLSC-YZ12	3/8	400	1.5	0.13	0.97	1.37	1/4-20	25	100	10400
5/8"	CLSC-YZ58	1/2	400	1.5	0.14	1.05	1.54	1/4-20	25	100	8000
3/4"	CLSC-YZ34	5/8	600	1.5	0.14	1.23	1.71	1/4-20	25	125	8000
7/8"	CLSC-YZ78	3/5	600	1.5	0.15	1.30	1.89	1/4-20	25	125	8000
1-1/8"	CLSC-YZ118	1	600	2.0	0.18	1.52	2.14	1/4-20	25	125	6000
1-3/8"	CLSC-YZ138	1-1/4	600	2.0	0.20	1.80	2.31	1/4-20	10	40	5000
1-5/8"	CLSC-YZ158	1-1/2	600	2.0	0.25	2.10	2.63	1/4-20	10	40	4000
2-1/8"	CLSC-YZ218	2	800	2.5	0.46	2.71	3.31	5/16-18	10	50	2800
2-5/8"	CLSC-YZ258	2-1/2	800	2.5	0.51	3.17	3.90	5/16-18	10	40	2000
3-1/8"	CLSC-YZ318	3	800	2.5	0.60	3.66	4.43	5/16-18	5	25	2000
4-1/8"	CLSC-YZ418	4	1000	3.0	0.94	4.85	5.68	3/8-16	5	25	1000



BEAM CLAMPS

Designed to attach hanger rod to the flange of beams

- No Drilling or welding to existing structure
- Clamps directly to the existing structure
- Underwriters Laboratories Listed (UL) and Factory Mutual Approved (FM)
- Complies with Federal Specifications WW-H-171E & A-A-1192A Type 19, Manufacturers Standardization Society (MSS) ANSI/SP-69 & SP-58 Type 19

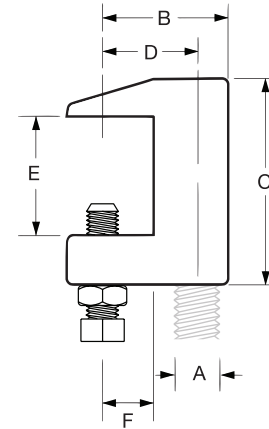
Sizes: 3/8" - 7/8"

Material: Malleable Iron & Steel

Finish: Electro Galvanized & Plain

Approvals: FM, UL, Complies with WW-H-171E & A-A-1192A Type 19, MSS ANSI/SP-69 & SP-58 Type 19

SIZE INCHES	ITEM ELECTRO GALVANIZED	ITEM PLAIN	MAX LOAD TOP	MAX LOAD BOTTOM	WEIGHT LBS	A ROD SIZE	B	C	D	E	F	INNER BOX	MASTER BOX	PALLET QTY
3/8"	CLBS-GE38	CLBS-B38	610	610	0.320	3/8	1-5/16	1-1/2	1	3/4	1/2	10	100	4800
1/2"	CLBS-GE12	CLBS-B12	750	1130	0.320	1/2	1-5/16	1-1/2	1	3/4	1/2	10	100	4800
5/8"	CLBS-GE58	CLBS-B58	750	1130	0.580	5/8	1-3/4	1-3/4	1-3/8	3/4	5/8	5	50	2400
3/4"	CLBS-GE34	CLBS-B34	750	1130	0.820	3/4	1-7/8	1-7/8	1-3/8	3/4	5/8	5	50	2400
7/8"	CLBS-GE78	CLBS-B78	750	1130	0.795	7/8	2-3/8	1-7/8	1-3/8	3/4	5/8	5	50	2400



WIDE MOUTH BEAM CLAMPS

Designed to attach hanger rod to the flange of beams

- Wider throat for attaching to flange with up to 1 1/4" thickness.
- Attached to horizontal flanges of structures in either the top or bottom beam positions.
- Secured in place by a cup-pointed Set Screw tightened against the flange. A Jam Nut is provided for tightening the Set Screw against the Body Casting.
- Underwriters Laboratories Listed (UL) and Factory Mutual Approved (FM)
- Complies with Federal Specifications WW-H-171E & A-A-1192A Type 19, Manufacturers Standardization Society (MSS) ANSI/SP-69 & SP-58 Type 19

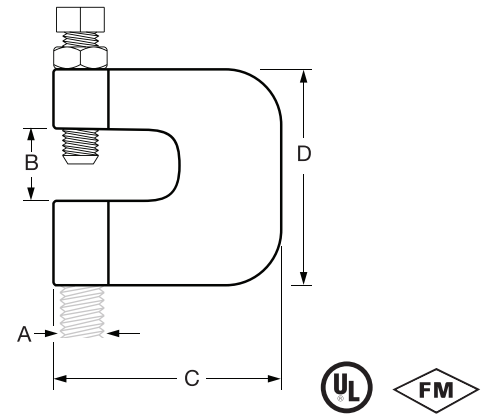
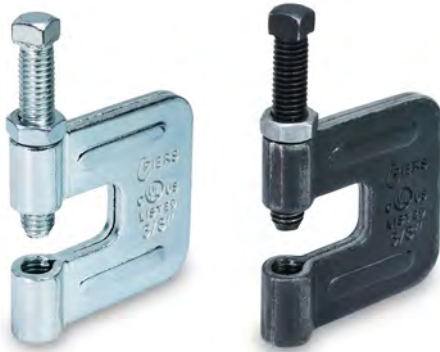
Sizes: 3/8" - 3/4"

Material: Malleable Iron & Steel

Finish: Electro Galvanized & Plain

Approvals: FM, UL, Complies with WW-H-171E & A-A-1192A Type 19, MSS ANSI/SP-69 & SP-58 Type 19

SIZE INCHES	ITEM ELECTRO GALVANIZED	ITEM PLAIN	MAX LOAD TOP	MAX LOAD BOTTOM	WEIGHT LBS	A ROD SIZE	B	C	D	E	F	INNER BOX	MASTER BOX	PALLET QTY
3/8"	CLBW-GE38	CLBW-B38	610	610	0.55	3/8	1-3/8	2	1	1-1/4	1/2	10	100	4800
1/2"	CLBW-GE12	CLBW-B12	750	1130	0.56	1/2	1-3/8	2	1	1-1/4	1/2	10	100	4800
5/8"	CLBW-GE58	CLBW-B58	750	1130	0.66	5/8	1-7/8	2-3/8	1-3/8	1-1/4	5/8	5	50	2400
3/4"	CLBW-GE34	CLBW-B34	750	1130	0.83	3/4	1-7/8	2-3/8	1-3/8	1-1/4	5/8	5	50	2400



C-CLAMPS

Designed to attach hanger rod to the flange of beams

- No Drilling or welding to existing structure
- Clamps directly to the existing structure
- Underwriters Laboratories Listed (UL) and Factory Mutual Approved (FM)
- Complies with Federal Specifications WW-H-171E & A-A-1192A Type 23, Manufacturers Standardization Society (MSS) ANSI/SP-69 & SP-58 Type 23

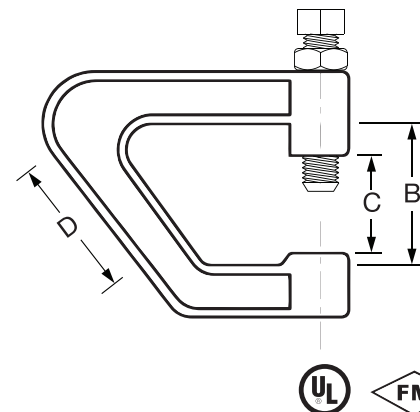
Sizes: 3/8" - 5/8"

Material: Steel

Finish: Electro Galvanized & Plain

Approvals: FM, UL, Complies with WW-H-171E & A-A-1192A Type 23, MSS ANSI/SP-69 & SP-58 Type 23

SIZE INCHES	ITEM ELECTRO GALVANIZED	ITEM PLAIN	MAX LOAD	WEIGHT LBS	A ROD SIZE	B	C	D	INNER BOX	MASTER BOX	PALLET QTY
3/8"	CLCM-GE38	CLCM-B38	230	0.34	3/8	3/4	2-1/4	2-3/8	10	100	4800
1/2"	CLCM-GE12	CLCM-B12	380	0.40	1/2	3/4	2-1/4	2-3/8	10	100	4800
5/8"	CLCM-GE58	CLCM-B58	430	0.47	5/8	3/4	2-1/4	2-3/8	5	50	2400



PURLIN CLAMPS

Designed to attach hanger rod to steel purlins

- No Drilling or welding to existing structure
- Clamps directly to the existing structure
- No heat or sparks generated
- Designed for use with large-lip rolled steel purlins to eliminate the need to modify steel purlin for standard C-clamp
- Complies with Federal Specifications WW-H-171E & A-A-1192A Type 23, Manufacturers Standardization Society (MSS) ANSI/SP-69 & SP-58 Type 23

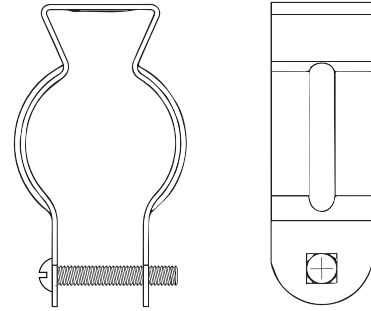
Sizes: 3/8"

Material: Malleable Iron

Finish: Electro Galvanized & Plain

Approvals: FM, UL, Complies with WW-H-171E & A-A-1192A Type 23, MSS ANSI/SP-69 & SP-58 Type 23

SIZE INCHES	ITEM ELECTRO GALVANIZED	ITEM PLAIN	MAX LOAD	WEIGHT LBS	A ROD SIZE	B	C	D	INNER BOX	MASTER BOX	PALLET QTY
3/8"	CLPU-G38	CLPU-B38	400	0.82	3/8	3/4	2-1/4	2-3/8	5	50	2400



CONDUIT CLAMP

Designed to secure and support EMT, IMC & Rigid conduit

Sizes: 1/2" - 4"

- Suspended EMT & Rigid conduit from overhead supports
- Nuts & bolts included
- Metal Conduit Compatible Conduit Fitting
- Corrosion resistant for indoor and outdoor use
- cULus Listed

Material: Carbon Steel

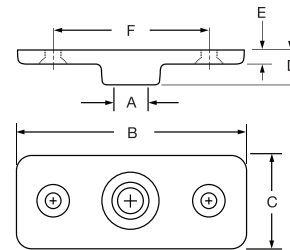
Finish: Electro Galvanized

Approvals: UL Listed

SIZE INCHES	ITEM ELECTRO GALVANIZED	MAX LOAD	GAUGE SIZE	WEIGHT LBS	BOLT SIZE	TOP HOLE SIZE	INNER BOX	MASTER BOX	PALLET QTY
1/2"	CH-GE12	400	18	1.60	1/4-20	6.5mm	50	300	18000
3/4"	CH-GE34	400	18	1.60	1/4-20	6.5mm	50	200	12000
1"	CH-GE01	400	18	1.90	1/4-20	6.5mm	50	150	9000
1-1/4"	CH-GE114	400	16	1.90	1/4-20	6.5mm	50	100	6000
1-1/2"	CH-GE112	400	16	1.90	1/4-20	6.5mm	25	100	6000
2"	CH-GE02	400	16	2.50	1/4-20	6.5mm	-	70	4200
2-1/2"	CH-GE212	400	16	2.50	1/4-20	8.2mm	-	70	3000
3"	CH-GE03	400	14	2.50	1/4-20	8.2mm	-	40	2400
4"	CH-GE04	400	14	2.50	1/4-20	8.2mm	-	25	1500



EPOXY COATED PROTECTIVE SHIELD SYSTEM



CEILING FLANGES

Designed for attaching hanger rod from ceiling

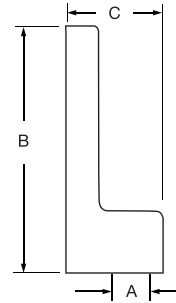
Sizes: 1/4" - 1/2"

- Supports threaded rod from ceilings or walls
- Available in 3 different finishes

Material: Malleable Iron

Finish: Plain, Galvanized & Copper Epoxy

SIZE INCHES	ITEM GALVANIZED	ITEM PLAIN	ITEM COPPER EPOXY	MAX LOAD	WEIGHT LBS	A ROD SIZE	B LENGTH	C WIDTH	D HEIGHT	E LIP	F DISTANCE	SCREW SIZE #	INNER BOX	MASTER BOX	PALLET QTY
1/4"	CLF-G14	CLF-PL14	-	180	0.16	1/4	3-5/16	1 3/8	1/2	3/16	2-1/4	12	20	100	4800
3/8"	CLF-G38	CLF-PL38	CLF-EC38	180	0.16	3/8	3-5/16	1 3/8	1/2	3/16	2-1/4	12	20	100	4800
1/2"	CLF-G12	CLF-PL12	-	180	0.16	1/2	3-5/16	1 3/8	1/2	3/16	2-1/4	12	20	100	4800



SIDE BEAM CONNECTORS

Designed for attaching hanger rod to the side of beams

- Supports threaded rod from ceilings or walls.
- Complies with Federal Specifications A-A-1192A Type 34 and Manufacturers Standardization Society (MSS) ANSI/SP-69 and SP-58 Type 34

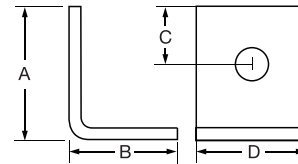
Sizes: 3/8" - 1/2"

Material: Malleable Iron

Finish: Plain

Approvals: A-A-1192A Type 34, MSS
ANSI/SP-69, SP-58 Type 34

SIZE INCHES	ITEM PLAIN	MAX LOAD	WEIGHT LBS	A ROD SIZE	B LENGTH	C WIDTH	SCREW SIZE #	INNER BOX	MASTER BOX	PALLET QTY
3/8"	CNSB-PL38	250	0.13	3/8"	2-3/16	9/16	12	10	50	2400
1/2"	CNSB-PL12	480	0.25	1/2"	2-3/4	3/4	14	10	50	2400



ANGLE BRACKETS

Designed for attaching hanger rod to the side of beams

- Supports threaded rod from ceilings or walls.
- Complies with Federal Specifications A-A-1192A Type 34 and Manufacturers Standardization Society (MSS) ANSI/SP-69 and SP-58 Type 34

Sizes: 3/8" - 1/2"

Material: Malleable Iron

Finish: Plain

Approvals: A-A-1192A Type 34, MSS
ANSI/SP-69, SP-58 Type 34

SIZE INCHES	ITEM PLAIN	MAX LOAD	WEIGHT LBS	A	B	C	D	INNER BOX	MASTER BOX	PALLET QTY
3/8"	CAB-G38	250	0.225	2.0	1.5	.56	1.3	10	50	2400
1/2"	CAB-G12	400	0.330	2.3	1.8	.69	1.5	10	50	2400



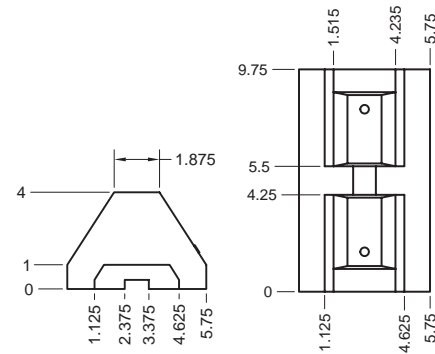
ROOFTOP SUPPORT BLOCK



MADE FROM 100% RECYCLED RUBBER
ENVIRONMENTALLY FRIENDLY



Support Block is designed for superior support of piping systems, cable tray, electrical conduit, HVAC equipment and many other applications. It is UV resistant and suitable for installation on most types of roofing material or other flat surfaces. Can be used as a curb (sleeper) replacement.



ROOFTOP SUPPORT BLOCK

Designed for superior support of applications on rooftops

- Mounting pierce screw point to penetrate metal studs
- Made from High Grade Recycled Rubber
- Green Reflector for High Visibility and Safety
- Available with and without strut
- Screw fasteners can be used to attach one or two hole pipe straps or a piece of strut
- UV resistant
- Dampens vibrations

Sizes: 1-5/8" x 13/16"

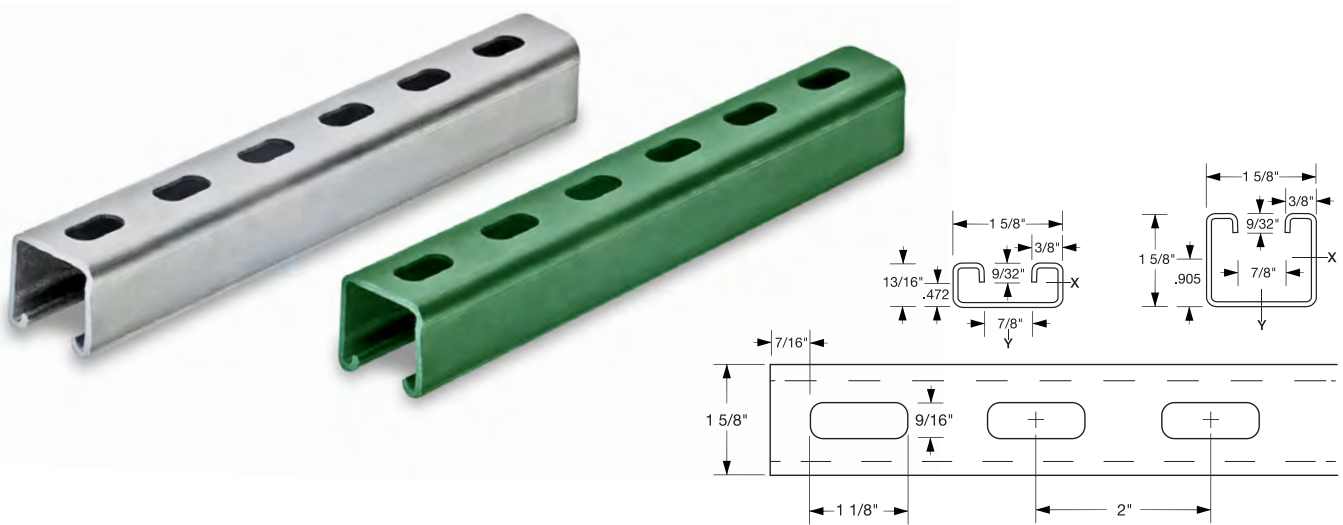
Block Material: Recycled Rubber

Strut Material: Pregalvanized Steel

ITEM	DESCRIPTION	MAX LOAD	WEIGHT LBS	HEIGHT	LENGTH	WIDTH	INNER QTY	PALLET QTY
RSB-10S	10" Rooftop Support Block with Strut	750	5.5	4-13/16"	9-3/4"	5-3/4"	1	352
RSB-10	10" Rooftop Support Block without Strut	750	5.2	4"	9-3/4"	5-3/4"	1	352



H-Strut Channels are manufactured by a series of forming dies and rolls which progressively work the strip seal into the desired channel configuration. This method produces a cross section of uniform dimensions within a tolerance of plus or minus 0.015", on outside dimensions.



PRE GALVANIZED & SUPR GREEN STRUT CHANNEL



Designed to support hanging pipes

- Slotted series of channels offer full flexibility
- Pre-punched slots eliminate the need for precise field measuring for hole locations
- Slots offer wide adjustments in the alignment and bolt sizing
- Underwriters Laboratories Listed (UL)
- H-Strut channels are produced from prime structural steel
Pre-Galvanized ASTM A-653 & Powder Coated Supr-Freen ASTM B-117

Sizes: 1-5/8" x 13/16" - 1-5/8" x 1-5/8"

Material: Prime Structural Steel

Finish: Pre Galvanized ASTM-A653 & Powder Coated Supr-Green ASTM-B117

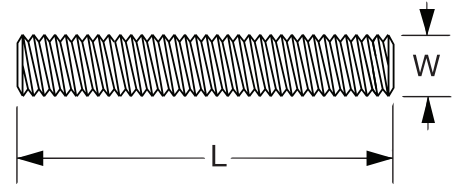
Color: Zinc & Green

Approvals: UL

I = Moment of Inertia S = Section Modulus R = Radius of Gyration

SIZE INCHES	ITEM PRE GALVANIZED	ITEM SUPR-GREEN	GAUGE SIZE	WEIGHT LBS	AREA OF SECTION Sq. In.	X-X AXIS I in4	X-X AXIS S in3	X-X AXIS R in.	Y-Y AXIS I in4	Y-Y AXIS S in3	Y-Y AXIS R in.	BUNDLE QUANTITY
1-5/8" x 13/16" x 10'	STC12-GP131610	STC12-GN131610	12GA	0.98	0.294	0.027	0.058	0.303	0.11	0.135	0.612	50
1-5/8" x 13/16" x 20'	STC12-GP131620	STC12-GN131620	12GA	0.98	0.294	0.027	0.058	0.303	0.11	0.135	0.612	50
1-5/8" x 1-5/8" x 10'	STC12-GP15810	STC12-GN15810	12GA	1.4	0.416	0.149	0.166	0.598	0.183	0.225	0.663	50
1-5/8" x 1-5/8" x 20'		STC12-GN15820	12GA	1.4	0.416	0.149	0.166	0.598	0.183	0.225	0.663	50
1-5/8" x 13/16" x 10'	STC14-GP131610	STC14-GN131610	14GA	0.98	0.294	0.027	0.058	0.303	0.11	0.135	0.612	50
1-5/8" x 1-5/8" x 10'	STC12-GP15810	STC14-GN15810	14GA	1.4	0.416	0.149	0.166	0.598	0.183	0.225	0.663	50

Additional sizes and finishes are available on demand.



THREADED ROD

Designed for hanging, mounting, supporting, and fastening

- For use in applications such as plumbing, heating, electrical, and construction
- Quick assembly and adjustments
- Customize rod length with a hacksaw or a band saw
- ASTM A307 Grade A carbon steel

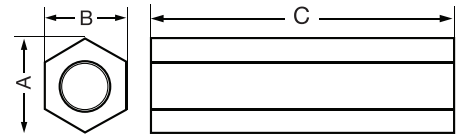
Sizes: 3/8" - 3/4"

Material: Carbon Steel

Finish: Zinc

Approvals: ASTM A307
Grade A carbon steel

SIZE INCHES	ITEM THREADED ROD	LENGTH Inches	TENSILE STRENGTH MPA	COATING THICKNESS Microns	PIECES PER TUBE
3/8" - 16 X 6'	THR-Z3806	72.0	541	9	25
1/2" - 13 X 6'	THR-Z1206	72.0	552	8	12
5/8" - 11 X 6'	THR-Z5806	72.0	563	10	8
3/4" - 10 X 6'	THR-Z3406	72.0	545	10	5
7/8" - 9 X 6'	THR-Z7806	72.0	557	10	4
3/8" - 16 X 10'	THR-Z3810	120.0	541	10	25
1/2" - 13 X 10'	THR-Z1210	120.0	552	8	12
5/8" - 11 X 10'	THR-Z5810	120.0	568	8	8
3/4" - 10 X 10'	THR-Z3410	120.0	545	9	5



ROD COUPLINGS

Designed to connect two lengths of rod with equal diameter

- Intermediate accessory joins 2 lengths of similar threaded rod
- Made of carbon steel and can be welded to the rod after assembly

Sizes: 3/8" - 7/8"

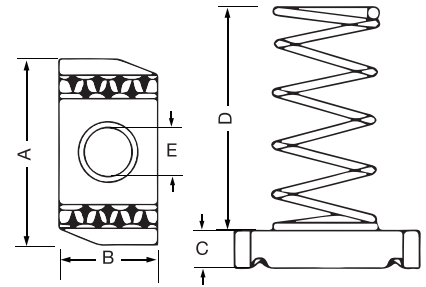
Material: Carbon Steel

Finish: Zinc

SIZE INCHES	ITEM ROD COUPLING	A	B	C	WEIGHT	INNER BOX	MASTER BOX	PALLET QTY
1/4"	CRO-Z14	1/2	7/16	7/8	0.019	80	320	15360
3/8"	CRO-Z38	5/8	9/16	1-1/8	0.019	80	320	15360
1/2"	CRO-Z12	7/8	3/4	1-1/2	0.028	50	200	9600
5/8"	CRO-Z58	1-1/16	15/16	1-7/8	0.100	50	200	4500
3/4"	CRO-Z34	1-1/4	1-1/8	2-1/4	0.160	40	200	4500
7/8"	CRO-Z78	1-1/2	1-5/16	2-5/8	0.290	30	200	4500

REDUCING ROD COUPLINGS

SIZE INCHES	ITEM REDUCING ROD COUPLING	A	B	C	WEIGHT	INNER BOX	MASTER BOX	PALLET QTY
3/8" x 1/4"	CRE-Z3814	7/8	3/4	1-1/2	0.019	80	320	15360
1/2" x 3/8"	CRE-Z1238	1-1/4	1-1/8	2-1/4	0.023	50	200	9600
5/8" x 1/2"	CRE-Z5812	1-1/2	1-5/16	2-5/8	0.049	50	200	4500



CHANNEL NUTS WITH & WITHOUT SPRING

Assures a positive locking of the strut channels to fittings

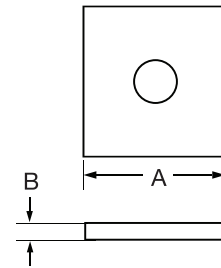
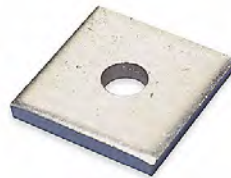
- Carbon steel nuts with special formed teeth in the parallel channel recesses
- Made to grip the return lip of the strut channel
- Shearing action of the teeth assures a positive locking of the strut channels to the fittings

Sizes: 1/2" - 3/4"

Material: Carbon Steel

Finish: Zinc

THREAD SIZE	SHORT SPRING CHANNEL NUTS	LONG SPRING CHANNEL NUTS	ITEM CHANNEL NUTS	A	B	C	D SHORT	D LONG	E	WEIGHT LBS	INNER BOX	MASTER BOX	PALLET QTY
1/4"	NSCS-Z14	NSCH-Z14	NSCN-Z14	1-3/8	3/4	1/4	21/32	1-1/2	1/4	0.07	50	200	9600
5/16"	NSCS-Z516	-	NSCN-Z516	1-3/8	3/4	1/4	21/32	1-1/2	1/4	0.08			
7/16"	NSCS-Z716	-	NSCN-Z716	1-3/8	3/4	3/8	21/32	1-1/2	3/8	0.09			
3/8"	NSCS-Z38	NSCH-Z38	NSCN-Z38	1-3/8	3/4	3/8	21/32	1-1/2	3/8	0.10	50	200	9600
1/2"	NSCS-Z12	NSCH-Z12	NSCN-Z12	1-3/8	3/4	1/2	21/32	1-1/2	1/2	0.13	50	200	9600
5/8"	NSCS-Z58	NSCH-Z58	NSCN-Z58	1-3/8	1-1/8	1/2	21/32	1-1/2	5/8	0.15	50	200	9600
3/4"	NSCS-Z34	NSCH-Z34	NSCN-Z34	1-3/8	1-1/8	1/2	21/32	1-1/2	3/4	0.15	50	200	9600
7/8"	-	-	NSCN-Z78	1-3/8	1-1/8	1/2	-	-	3/4	0.15			



SQUARE CHANNEL WASHER

For use with strut channels

- Channel square washer

Sizes: 3/8" - 5/8"

Material: Carbon Steel

Finish: Zinc

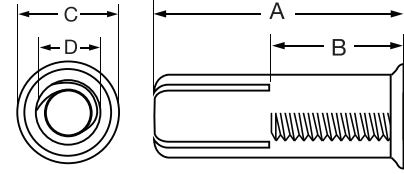
SIZE INCHES	ITEM SQUARE WASHER	A	B	WEIGHT	INNER BOX	MASTER BOX
3/8"	WSCH-Z38	1-5/8	1/4	.08	100	600
1/2"	WSCH-Z12	1-5/8	1/4	.10	100	600
5/8"	WSCH-Z58	1-5/8	1/4	.20	100	600



DROP IN ANCHORS

Designed to insert into pre-drilled hole and set into place

- Suitable for flush mount applications in solid base materials
- Set by driving the expansion plug towards the end by using a setting tool



Sizes: 3/8" - 3/4"

Material: Carbon Steel

Finish: Zinc

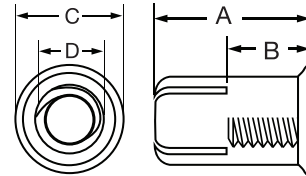
SIZE INCHES	ITEM	A LENGTH	B THREAD DEPTH	C WIDTH	D ROD SIZE	WEIGHT KG	LOAD KG	INNER BOX	MASTER BOX	PALLET QTY
3/8"	ADI-Z38	1-9/16	13/16	37/64	3/8	25	1890	50	600	28800
1/2"	ADI-Z12	2	1	11/16	1/2	50	3220	50	300	14400
5/8"	ADI-Z58	2-1/2	1-1/4	31/32	5/8	141.3	3880	25	150	7200
3/4"	ADI-Z34	3-1/4	1-7/16	1-5/16	3/4	205	5880	25	100	4800



MINI DROP IN ANCHORS

Designed to insert into pre-drilled hole and set into place

- Suitable for flush mount applications in solid base materials
- Set by driving the expansion plug towards the end by using a setting tool



Sizes: 3/8" - 3/4"

Material: Carbon Steel

Finish: Zinc

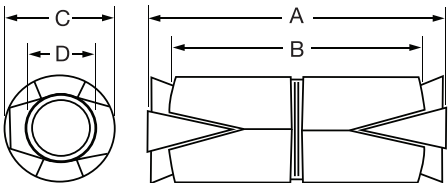
SIZE INCHES	ITEM	A LENGTH	B THREAD DEPTH	C WIDTH	D ROD SIZE	WEIGHT KG	LOAD KG	INNER LENGTH	MASTER BOX	PALLET QTY
3/8"	DIAM38	3/4	3/8	37/64	3/8	12.5	830	50	1200	57600
1/2"	DIAM12	1	1/2	11/16	1/2	25	1010	50	600	28800
5/8"	DIAM58	1-1/4	5/8	3/8	5/8	37.5	1190	25	150	7200
3/4"	DIAM34	1-1/2	3/4	1/2	3/4	49.9	1370	25	100	7200



DOUBLE EXPANSION SHIELDS

Designed to insert into pre-drilled hole and set into place

- It can be used in solid concrete, block, brick, and stone
- Eliminates high stress points detrimental in fastening into materials

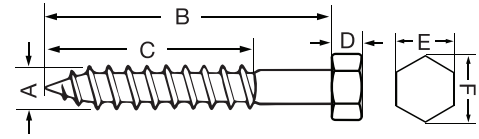


Sizes: 3/8" - 3/4"

Material: Zinc Alloy

Finish: Zinc

SIZE INCHES	ITEM	A LENGTH	B	C WIDTH	D ROD SIZE	WEIGHT KG	LOAD KG	INNER BOX	MASTER BOX	PALLET QTY
3/8"	ADX-Z38	2"	1-1/2"	3/4"	3/8"	38.5	980	50	500	24000
1/2"	ADX-Z12	2-1/2"	2"	7/8"	1/2"	66.5	2080	24	240	11520
5/8"	ADX-Z58	5/8"	2-1/4"	1"	5/8"	88.4	2360	24	240	11520
3/4"	ADX-Z34	3/4"	3"	1-1/4"	3/4"	196	4370	10	100	4800



COACH SCREWS

Designed for fastening attachments to wood beams

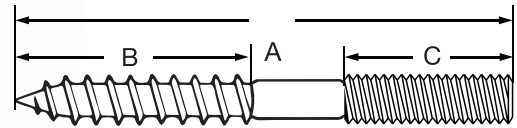
- High quality carbon steel coach screws
- High strength screws that can be used for connector installations

Sizes: 3/8" X 4" - 1/2" x 12"

Material: Carbon Steel

Finish: Zinc

SIZE INCHES	ITEM	A WIDTH	B LENGTH	C THREAD	D	E	F	WEIGHT	INNER BOX	MASTER BOX	PALLET QTY
3/8" x 4"	RWC-ZE3804	3/8	4	2	1/4	9/16	5/8	0.532	100	300	14440
3/8" x 6"	RWC-ZE3806	3/8	6	3	1/4	9/16	5/8	0.550	100	300	14440
3/8" x 8"	RWC-ZE3808	3/8	8	4	1/4	9/16	5/8	0.568	100	300	14440
3/8" x 12"	RWC-ZE38012	3/8	12	6	1/4	9/16	5/8	0.597	100	300	14440
1/2" x 4"	RWC-ZE1204	1/2	4	2	5/16	3/4	7/8	1.041	100	300	14440
1/2" x 6"	RWC-ZE1206	1/2	6	3	5/16	3/4	7/8	1.138	100	300	14440
1/2" x 8"	RWC-ZE1208	1/2	8	4	5/16	3/4	7/8	1.167	100	300	14440
1/2" x 12"	RWC-ZE12012	1/2	12	6	5/16	3/4	7/8	1.175	100	300	14440



LAG SCREW ROD / HANGER BOLT

Designed for fastening attachments to wood beams

- High quality carbon steel coach screws
- High strength screws that can be used for connector installations

Sizes: 1/4" X 3" - 1/2" x 6"

Material: Carbon Steel

Finish: Zinc

SIZE INCHES	ITEM	A LENGTH	B THREAD	C ROD THREAD	WEIGHT	INNER BOX	MASTER BOX	PALLET QTY
1/4" x 3"	RWL-Z1403	3	2-1/2	1/2	0.418	100	300	14440
3/8" x 3-1/2"	RWL-Z38312	3-1/2	2-1/2	1-1/2	0.522	100	300	14440
3/8" x 4"	RWL-Z3804	4	2-1/2	2-1/2	0.531	100	300	14440
3/8" x 6"	RWL-Z3806	6	2-1/2	2-1/2	0.548	100	300	14440
3/8" x 8"	RWL-Z3808	8	2-1/2	2-1/2	0.563	100	300	14440
3/8" x 12"	RWL-Z38012	12	2-1/2	2-1/2	0.591	100	300	14440
1/2" x 4"	RWL-Z1204	4	2-1/2	2-1/2	1.038	100	300	14440
1/2" x 6"	RWL-Z1206	6	2-1/2	2-1/2	1.132	100	300	14440



HEX SCREW ANCHOR KIT

Designed for fastening attachments to wood beams

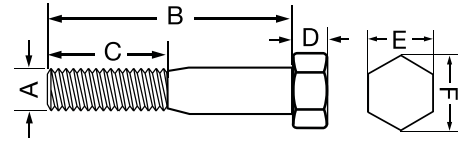
- Drill bit included

Sizes: 1"

Material: Steel

Finish: Zinc Plated

SIZE INCHES	ITEM	LENGTH	WEIGHT	INNER BOX	MASTER BOX	PALLET QTY
1"	KAS-101B	1	0.95	100	1	100



HEX BOLTS

Designed for use as a fastening device

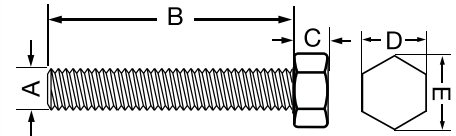
- High quality carbon steel hex bolts
- The head of a heavy hex bolt is wider and thicker than that of a hex bolt

Sizes: 5/8" x 2-1/2" - 3/4" x 5"

Material: Carbon Steel

Finish: Zinc

SIZE INCHES	ITEM	A WIDTH	B	C	D	E	F	WEIGHT	INNER BOX	MASTER BOX	PALLET QTY
5/8" x 2"	BHH-Z5802	5/8	2	1-1/2	3/8	1-1/16	1-3/16	0.116	50	150	7200
5/8" x 2-1/2"	BHH-Z58212	5/8	2-1/2	1-1/2	3/8	1-1/16	1-3/16	0.136	50	150	7200
5/8" x 3"	BHH-Z5803	5/8	3	1-1/2	3/8	1-1/16	1-3/16	0.156	50	150	7200
5/8" x 3-1/4"	BHH-Z58314	5/8	3-1/4	1-1/2	3/8	1-1/16	1-3/16	0.165	50	150	7200
5/8" x 3-1/2"	BHH-Z58312	5/8	3-1/2	1-1/2	3/8	1-1/16	1-3/16	0.175	50	150	7200
5/8" x 4"	BHH-Z5804	5/8	4	1-1/2	3/8	1-1/16	1-3/16	0.196	50	150	7200
5/8" x 5"	BHH-Z5804	5/8	5	1-1/2	3/8	1-1/16	1-3/16	0.198	50	150	7200
3/4" x 2"	BHH-Z34302	3/4	2	1-3/4	1/2	1-1/4	1-3/8	0.179	50	150	7200
3/4" x 2-1/2"	BHH-Z34212	3/4	2-1/2	1-3/4	1/2	1-1/4	1-3/8	0.207	50	150	7200
3/4" x 3"	BHH-Z3403	3/4	3	1-3/4	1/2	1-1/4	1-3/8	0.235	50	150	7200
3/4" x 3-1/4"	BHH-Z34314	3/4	3-1/4	1-3/4	1/2	1-1/4	1-3/8	0.249	50	150	7200
3/4" x 3-1/2"	BHH-Z34312	3/4	3-1/2	1-3/4	1/2	1-1/4	1-3/8	0.263	50	150	7200
3/4" x 4"	BHH-Z34304	3/4	4	1-3/4	1/2	1-1/4	1-3/8	0.291	50	150	2400
3/4" x 5"	BHH-Z34304	3/4	5	1-3/4	1/2	1-1/4	1-3/8	0.295	50	150	2400



HEX BOLTS FULL THREAD

Designed for use as a fastening device

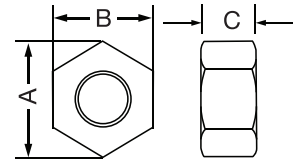
- High quality carbon steel hex bolts
- The head of a heavy hex bolt is wider and thicker than that of a hex bolt

Sizes: 5/8" x 2-1/2" - 3/4" x 5"

Material: Carbon Steel

Finish: Zinc

SIZE INCHES	ITEM	A WIDTH	B	C	D	E	WEIGHT	INNER BOX	MASTER BOX	PALLET QTY
5/8" x 2-1/2"	BFS-Z58212	5/8	2-1/2	3/8	1-1/16	1-3/16	0.156	50	150	7200
5/8" x 3"	BFS-Z5803	5/8	3	3/8	1-1/16	1-3/16	0.175	50	150	7200
5/8" x 3-1/4"	BFS-Z58314	5/8	3-1/4	3/8	1-1/16	1-1/16	0.165	50	150	7200
5/8" x 3-1/2"	BFS-Z58312	5/8	3-1/2	3/8	1-1/16	1-1/16	0.175	50	150	7200
5/8" x 4"	BFS-Z5804	5/8	4	3/8	1-1/16	1-1/16	0.196	50	150	7200
5/8" x 5"	BFS-Z5804	5/8	5	3/8	1-1/16	1-1/16	0.198	50	150	7200
3/4" x 2"	BFS-Z34302	3/4	2	1/2	1-1/4	1-1/4	0.179	50	150	7200
3/4" x 2-1/2"	BFS-Z34212	3/4	2-1/2	1/2	1-1/4	1-1/4	0.207	50	150	7200
3/4" x 3"	BFS-Z3403	3/4	3	1/2	1-1/4	1-1/4	0.235	50	150	7200
3/4" x 3-1/4"	BFS-Z34314	3/4	3-1/4	1/2	1-1/4	1-1/4	0.249	50	150	7200
3/4" x 3-1/2"	BFS-Z34312	3/4	3-1/2	1/2	1-1/4	1-1/4	0.263	50	150	7200
3/4" x 4"	BFS-Z34304	3/4	4	1/2	1-1/4	1-1/4	0.291	50	150	2400
3/4" x 5"	BFS-Z34304	3/4	5	1/2	1-1/4	1-1/4	0.295	50	150	2400



HEX NUTS

Designed for use along with hex bolts

- Standard hexagon nuts are stocked in sizes 3/8" - 7/8"
- Use with bolts of the same finish and threading for proper fit
- For general applications

Sizes: 3/8" - 7/8"

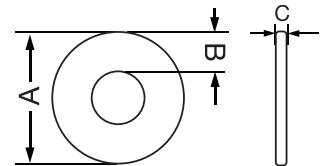
Material: Carbon Steel

Finish: Zinc

SIZE INCHES	ITEM HEX NUTS	A	B	C	WEIGHT	INNER BOX	MASTER BOX	PALLET QTY
1/4"	NHS-Z14	1/2	7/16	7/32	0.003	100	2400	115200
3/8"	NHS-Z38	5/8	9/16	5/16	0.007	100	2400	115200
1/2"	NHS-Z12	7/8	3/4	7/16	0.017	100	400	19200
5/8"	NHS-Z58	1-1/16	15/16	9/16	0.033	50	200	9600
3/4"	NHS-Z34	1-1/4	1-1/8	5/8	0.054	50	150	7200
7/8"	NHS-Z78	1-1/2	1-5/16	3/4	0.086	50	150	7200

HEAVY HEX NUTS

SIZE INCHES	ITEM HEX NUTS	A	B	C	WEIGHT	INNER BOX	MASTER BOX	PALLET QTY
1/4"	NHH-Z14	9/16	1/2	1/4	0.006	100	2400	115200
3/8"	NHH-Z38	25/32	11/16	3/8	0.015	100	2400	115200
1/2"	NHH-Z12	1	7/8	1/2	0.030	50	600	28800
5/8"	NHH-Z58	1-3/16	1-1/16	5/8	0.055	50	400	19200
3/4"	NHH-Z34	1-3/8	1-1/4	3/4	0.088	50	200	9600



USS FLAT WASHERS

Designed for use along with heavy hex bolts

- Larger surface area than standard flat washers
- Prevents a nut, bolt or screw from pulling through the material

Sizes: 3/8" x 1-1/4" & 1/2" x 1-1/4"

Material: Carbon Steel

Finish: Zinc

SIZE INCHES	ITEM HEX NUTS	A	B	C	WEIGHT	INNER BOX	MASTER BOX	PALLET QTY
1/4"	WFE-Z14	3/4	7/32	1/16	0.003	100	2400	115200
3/8"	WFE-Z38	1	9/32	3/32	0.005	100	2400	115200
1/2"	WFE-Z12	1-3/8	13/32	3/32	0.015	100	2400	115200
5/8"	WFE-Z58	1-3/4	17/32	1/8	0.036	100	2400	115200
3/4"	WFE-Z34	2	19/32	5/32	0.050	100	2400	115200

FENDER WASHERS

SIZE INCHES	ITEM HEX NUTS	A	B	C	WEIGHT	INNER BOX	MASTER BOX	PALLET QTY
1/4" x 1-1/4"	WAS-Z14	1-1/4	1/2	1/16	0.010	100	1200	57600
3/8" x 1-1/4"	WAS-Z38	1-1/4	7/16	3/32	0.009	100	1200	57600
1/2" x 1-1/4"	WAS-Z12	1-1/4	3/8	3/32	0.008	100	1200	57600
5/8" x 1-1/4"	WAS-Z58	1-1/4	5/16	1/8	0.007	100	1200	57600



COPPER STUB BRACKETS

Designed for toilet, sink, lavatory, and drinking fountain

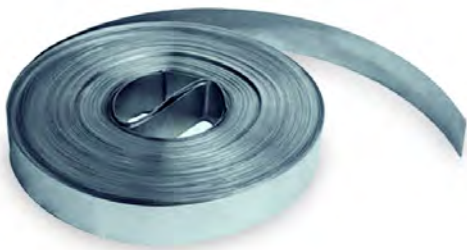
- Holes on 2" centers for 1/2" tubing and holes on 4" centers for 3/4" & 1" tubing
- UPC, IPC, IAPMO listed
- Ideal for lavatory and water closet

Sizes: 1/2" hole & 1/2", 3/4", 1" hole / 20" long

Material: copper

Finish: copper

HOLE SIZE	LENGTH	ITEM GALVANIZED	LOAD RATE	WEIGHT LBS	BOX QTY	PALLET QTY
1/2"	20"	STB-C201	20	0.13	50	8100
1/2", 3/4", 1"	20"	STB-C202	20	0.15	50	7200



DUCT STRAPPING

Used to hang air supply and returns to framing member

- Non-Perforated coils available
- Convenient Individual Dispensing Box

Sizes: 1" x 100" 30GA - 1" x 100" 20GA

Material: Steel

Finish: Galvanized

SIZE INCHES	ITEM PRE GALVANIZED	GAUGE SIZE	WEIGHT LBS	PACKAGE QUANTITY	PACKAGE DESCRIPTION
1" X 100'	DCS30-G1100	30GA	0.70	5	Individually Boxed
1-1/2" X 100'	DCS30-G112100	30GA	1.00	4	Individually Boxed
1" X 100'	DCS26-G1100	26GA	1.20	5	Individually Boxed
1-1/2" X 100'	DCS26-G112100	26GA	1.40	4	Individually Boxed
2" X 100'	DCS26-G2100	26GA	8.00	4	Individually Boxed
1" X 100'	DCS24-G1100	24GA	8.00	5	Individually Boxed
1" X 100'	DCS22-G1100	22GA	10.00	5	Individually Boxed
1" X 100'	DCS20-G1100	20GA	11.00	5	Individually Boxed



HANGER IRON GALVANIZED STEEL BOLT HOLES

Used to hang air supply and returns to framing member

- Commonly known as Plumbers Tape
- May be cut for custom lengths
- Prevents vent systems from sagging over long runs
- Designed for various light duty applications
- Preforated with bolt holes

Sizes: 3/4" x 10' 28GA - 1-1/4" x 100' 12GA

Material: Steel

Finish: Galvanized

SIZE INCHES	ITEM PRE GALVANIZED	GAUGE SIZE	WEIGHT LBS	PACKAGE QUANTITY	PACKAGE DESCRIPTION
3/4" x 10'	HIRB28-G3410	28GA	0.70	50	Individually Boxed
3/4" x 50'	HIRB28-G3450	28GA	1.00	10	Individually Boxed
3/4" x 100'	HIRB28-G34100	28GA	1.20	5	Individually Boxed
3/4" x 10'	HIRB24-G3410	24GA	1.40	50	Individually Boxed
3/4" x 50'	HIRB24-G3450	24GA	8.00	10	Individually Boxed
3/4" x 100'	HIRB24-G34100	24GA	8.00	5	Individually Boxed
3/4" x 10'	HIRB22-G3410	22GA	10.00	50	Individually Boxed
3/4" x 50'	HIRB22-G3450	22GA	11.00	10	Individually Boxed
3/4" x 100'	HIRB22-G34100	22GA	17.00	5	Individually Boxed
3/4" x 10'	HIRB20-G3410	20GA	14.00	50	Individually Boxed
3/4" x 50'	HIRB20-G3450	20GA	17.00	10	Individually Boxed
3/4" x 100'	HIRB20-G34100	20GA	21.00	5	Individually Boxed
3/4" x 10'	HIRB18-G3410	18GA	17.00	50	Individually Boxed
3/4" x 10'	HIRB16-G3410	16GA	14.00	50	Individually Boxed
1" x 10'	HIRB14-G0110	14GA	17.00	50	Individually Boxed
1-1/4" x 10'	HIRB12-G11410	12GA	21.00	50	Individually Boxed

NOW AVAILABLE



HANGER IRON PLAIN STEEL ALTERNATING HOLES

For hanging or securing ductwork, tubing or pipe

Sizes: 3/4" x 10' 24GA - 3/4" x 100' 20GA

Material: Steel

Finish: Steel

- Commonly known as Plumbers Tape
- May be cut for custom lengths
- Prevents vent systems from sagging over long runs
- Designed for various light duty applications
- Preforated with nail and bolt holes

SIZE INCHES	ITEM PLAIN STEEL	GAUGE SIZE	WEIGHT LBS	PACKAGE QUANTITY	PACKAGE DESCRIPTION
3/4" x 10'	HIR24-ST3410	24GA	1.04	50	Individually Bagged
3/4" x 50'	HIR24-ST3450	24GA	1.02	10	Bulk Packed
3/4" x 100'	HIR24-ST34100	24GA	2.6	5	Individually Boxed
3/4" x 10' BULK	HIR20-ST3410-B	20GA	5.10	50	Individually Boxed
3/4" x 50'	HIR20-ST3450	20GA	10.20	10	Individually Boxed
3/4" x 100'	HIR20-ST34100	20GA	10.20	5	Individually Boxed



HANGER IRON STAINLESS STEEL ALTERNATING HOLES

For hanging or securing ductwork, tubing or pipe

Sizes: 3/4" x 10' 24GA - 3/4" x 100' 20GA

Material: Stainless Steel

Finish: Stainless Steel

- Commonly known as Plumbers Tape
- May be cut for custom lengths
- Prevents vent systems from sagging over long runs
- Designed for various light duty applications
- Preforated with nail and bolt holes

SIZE INCHES	ITEM STAINLESS STEEL	GAUGE SIZE	WEIGHT LBS	PACKAGE QUANTITY	PACKAGE DESCRIPTION
3/4" x 10'	HIR24-SS3410	24GA	0.68	24	Bulk Packed
3/4" x 25'	HIR24-SS3425	24GA	1.70	50	Individually Boxed
3/4" x 50'	HIR24-SS3450	24GA	3.40	10	Individually Boxed
3/4" x 100'	HIR24-SS34100	24GA	6.83	10	Individually Boxed
3/4" x 10'	HIR22-SS3410	22GA	0.80	5	Bulk Packed
3/4" x 50'	HIR22-SS3450	22GA	2.00	24	Individually Bagged
3/4" x 10'	HIR20-SS3410	20GA	4.00	50	Individually Boxed
3/4" x 100'	HIR20-SS34100	20GA	8.20	10	Individually Boxed



HANGER IRON GALVANIZED STEEL ALTERNATING HOLES

Used to hang air supply and returns to framing member

Sizes: 3/4" x 10' 28GA - 3/4" x 100' 20GA

Material: Steel

Finish: Galvanized

- Commonly known as Plumbers Tape
- May be cut for custom lengths
- Prevents vent systems from sagging over long runs
- Designed for various light duty applications
- Preforated with nail and bolt holes

SIZE INCHES	ITEM PRE GALVANIZED	GAUGE SIZE	WEIGHT LBS	PACKAGE QUANTITY	PACKAGE DESCRIPTION
3/4" x 10'	HIR28-G3410	28GA	0.55	24	Individually Poly Bagged Coils
3/4" x 10' BULK-10	HIR28-G3410-B10	28GA	0.8	10	Bulk Packed Coils
3/4" x 10' BULK-50	HIR28-G3410-B	28GA	1.10	50	Bulk Packed Coils
3/4" x 25'	HIR28-G3425	28GA	1.60	10	Individually Boxed Coils
3/4" x 50'	HIR28-G3450	28GA	2.10	10	Individually Boxed Coils
3/4" x 100'	HIR28-G34100	28GA	1.70	10	Individually Boxed Coils
3/4" x 10'	HIR24-G3410	24GA	7.00	24	Individually Poly Bagged Coils
3/4" x 10' BULK-50	HIR24-G3410-B	24GA	16.00	50	Bulk Packed Coils
3/4" x 25'	HIR24-G3425	24GA	12.00	10	Bulk Packed Coils
3/4" x 50'	HIR24-G3450	24GA	21.00	10	Individually Boxed Coils
3/4" x 100'	HIR24-G34100	24GA	0.8	6	Individually Boxed Coils
3/4" x 10' BULK-50	HIR22-G3410-B	22GA	0.8	50	Bulk Packed Coils
3/4" x 50'	HIR22-G3450	22GA	1.10	10	Individually Boxed Coils
3/4" x 100'	HIR22-G34100	22GA	1.60	5	Individually Boxed Coils
3/4" x 10'	HIR20-G3410	20GA	2.10	24	Individually Boxed Coils
3/4" x 10' BULK-10	HIR20-G3410-B10	20GA	1.70	10	Bulk Packed Coils
3/4" x 10' BULK-50	HIR20-G3410-B	20GA	7.00	50	Bulk Packed Coils
3/4" x 25'	HIR20-G3425	20GA	16.00	10	Individually Boxed Coils
3/4" x 50'	HIR20-G3450	20GA	12.00	10	Individually Poly Bagged Coils
3/4" x 100'	HIR20-G34100	20GA	21.00	5	Bulk Packed Coils

NOW AVAILABLE



HANGER IRON COPPER COATED ALTERNATING HOLES

For hanging or securing ductwork, tubing or pipe

Sizes: 3/4" x 10' 24GA - 3/4" x 10' 20GA

Material: Steel

Finish: Copper

- Commonly known as Plumbers Tape
- May be cut for custom lengths
- Prevents vent systems from sagging over long runs
- Designed for various light duty applications
- Preforated with nail and bolt holes

SIZE INCHES	ITEM COPPER COATED	GAUGE SIZE	WEIGHT LBS	PACKAGE QUANTITY	PACKAGE DESCRIPTION
3/4" x 10'	HIR24-CC3410	24GA	0.66	24	Individually Bagged
3/4" x 25'	HIR24-CC3425	24GA	0.68	10	Bulk Packed
3/4" x 50'	HIR24-CC3450	24GA	1.70	10	Individually Boxed
3/4" x 100'	HIR24-CC34100	24GA	3.40	5	Individually Boxed
3/4" x 10'	HIR22-CC3410	22GA	6.83	24	Individually Boxed
3/4" x 25'	HIR22-CC3425	22GA	1.70	10	Individually Boxed
3/4" x 50'	HIR22-CC3450	22GA	3.40	10	Individually Boxed
3/4" x 10'	HIR20-CC3410	20GA	6.83	5	Individually Boxed



PLASTIC HANGER STRAP POLYPROPYLENE

For hanging or securing ductwork, tubing or pipe

Sizes: 3/4" x 10' - 3/4" x 100'

Material: Perforated Polypropylene

Finish: Polypropylene

- Commonly known as Plumbers Tape
- May be cut for custom lengths
- Prevents vent systems from sagging over long runs
- Designed for various light duty applications

SIZE INCHES	ITEM PLASTIC	WEIGHT LBS	PACKAGE QUANTITY	PACKAGE DESCRIPTION
3/4" x 10'	PPS-3410	0.13	100	Individually Bagged
3/4" x 25'	PPS-3425	0.38	20	Individually Bagged
3/4" x 50'	PPS-3450	0.68	20	Individually Bagged
3/4" x 100'	PPS-34100	1.4	20	Individually Bagged



TUB HANGER

Designed to hang bath tub on frame

- Used to hang Hot air Supply and Cold Air Returns to framing member

Sizes: 1-1/2" X 5" 12GA

Material: Steel

Finish: Galvanized

SIZE INCHES	ITEM GALVANIZED	GAUGE SIZE	WEIGHT LBS	PACKAGE QUANTITY
1-1/2" X 5"	TH12	12GA	0.13	50



SQUARE DUCT HANGERS

Designed to hang air supply and returns to framing

- Used to hang Hot air Supply and Cold Air Returns to framing member

Sizes: 8" x 7/8" 18GA - 10" x 7/8" 18GA

Material: Steel

Finish: Galvanized

SIZE INCHES	ITEM GALVANIZED	GAUGE SIZE	WEIGHT LBS	PACKAGE QUANTITY
8" x 7/8"	DCH18-G878	18GA	0.13	100
9" x 7/8"	DCH18-G978	18GA	0.15	100
10" x 7/8"	DCH18-G1078	18GA	0.17	100



SELF NAILING STUD GUARDS TRIANGLE POINTS

Designed to protect fasteners penetrating into piping

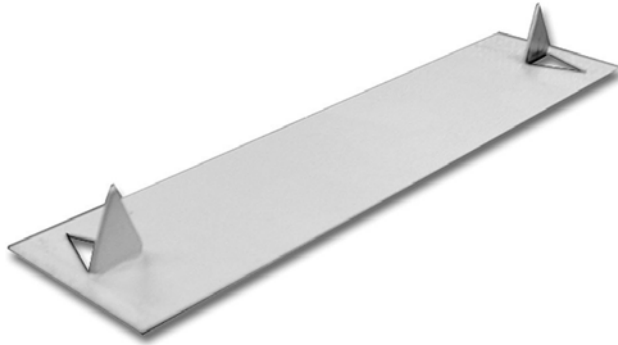
- Self nailing interlocking prong end
- Used with pex applications

Sizes: 1-1/2" x 3" 22GA - 3" x 18" 16GA

Material: Steel

Finish: Galvanized

SIZE INCHES	ITEM GALVANIZED	GAUGE SIZE	WEIGHT LBS	PACKAGE QUANTITY	PACKAGE DESCRIPTION
1-1/2" x 3"	SGS22-G1123	22GA	0.04	100	
1-1/2" x 5"	SGS22-G1125	22GA	0.08	100	
1-1/2" x 6"	SGS22-G1126	22GA	0.09	100	
1-1/2" x 3"	SGS20-G1123	20GA	0.08	100	
1-1/2" x 5"	SGS20-G1125	20GA	0.09	100	
1-1/2" x 6"	SGS20-G1126	20GA	0.09	100	
1-1/2" x 9"	SGS20-G1129	20GA	0.10	100	
1-1/2" x 12"	SGS20-G11212	20GA	0.04	100	
1-1/2" x 18"	SGS20-G11218	20GA	0.09	100	
1-1/2" x 3"	SGS18-G1123	18GA	0.28	50	
1-1/2" x 5"	SGS18-G1125	18GA	0.26	50	
1-1/2" x 6"	SGS18-G1126	18GA	0.04	100	
1-1/2" x 3"	SGS16-G1123	16GA	0.08	100	
1-1/2" x 5"	SGS16-G1125	16GA	0.09	100	
1-1/2" x 6"	SGS16-G1126	16GA	0.08	100	
1-1/2" x 9"	SGS16-G1129	16GA	0.09	100	
1-1/2" x 12"	SGS16-G11212	16GA	0.09	100	
1-1/2" x 18"	SGS16-G11218	16GA	0.10	100	
1-1/2" x 24"	SGS16-G11224	16GA	0.04	100	
3" x 5"	SGS16-G35	16GA	0.09	100	
3" x 18"	SGS16-G318	16GA	0.28	50	



SELF NAILING STUD GUARDS INTERLOCKING

Designed to protect fasteners penetrating into piping

- Self nailing interlocking prong end
- Used with pex applications

Sizes: 1-1/2" x 6" 20GA - 1-1/2" x 6" 16GA

Material: Steel

Finish: Galvanized

SIZE INCHES	ITEM PRE GALVANIZED	GAUGE SIZE	WEIGHT LBS	PACKAGE QUANTITY	PACKAGE DESCRIPTION
1-1/2" x 6"	SGN20-G1126	20GA	0.04	200	
1-1/2" x 6"	SGN18-G1126	18GA	0.04	200	
1-1/2" x 6"	SGN16-G1126	16GA	0.08	200	



SELF NAILING STUD GUARDS GALVANIZED WITH 2 HOLES

Designed to protect fasteners penetrating into piping

- Self nailing interlocking prong end
- Used with pex applications

Sizes: 1-1/2" x 3" 16GA

Material: Steel

Finish: Galvanized

SIZE INCHES	ITEM GALVANIZED	GAUGE SIZE	WEIGHT LBS	PACKAGE QUANTITY	PACKAGE DESCRIPTION
1/2" x 3"	SGH16-G1123	16GA	0.09	200	



SELF NAILING STUD GUARDS OFFSET END PRONG

Designed to protect fasteners penetrating into piping

- Self nailing interlocking prong end
- Used with pex applications

Sizes: 5" x 6" 16GA - 6" x 18" 16GA

Material: Steel

Finish: Galvanized

SIZE INCHES	ITEM GALVANIZED	GAUGE SIZE	WEIGHT LBS	PACKAGE QUANTITY	PACKAGE DESCRIPTION
5" x 6"	SGS16-G56	16GA	0.3	50	
5" x 8"	SGS16-G58	16GA	0.36	25	
6" x 6"	SGS16-G66	16GA	0.92	25	
6" x 8"	SGS16-G68	16GA	0.52	50	
6" x 12"	SGS16-G612	16GA	0.68	25	
6" x 18"	SGS16-G618	16GA	2.47	15	



Triple Stud

Double Stud

Single Stud



STUD SHOE GUARDS GALVANIZED

Designed to protect fasteners penetrating into piping

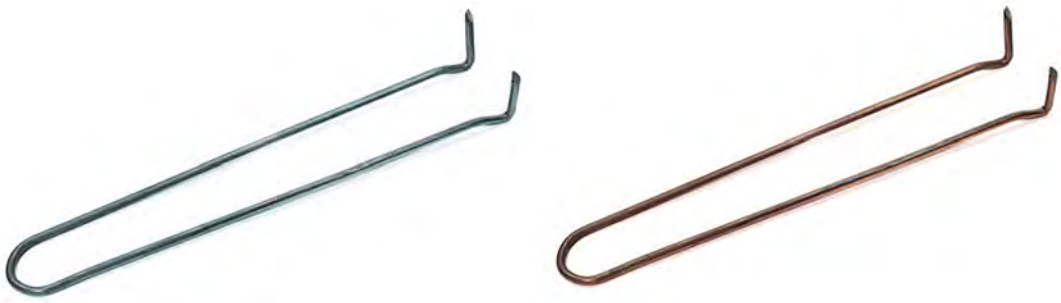
- suitable for single, double or triple stud applications
- Offered in 18 and 16 Gauge

Sizes: Single 18GA - Triple 16GA

Material: Steel

Finish: Galvanized

SIZE INCHES	ITEM GALVANIZED	GAUGE SIZE	WEIGHT LBS	PACKAGE QUANTITY	PACKAGE DESCRIPTION
Single	SDS18-GSING	18GA	0.64	25	
Double	SDS18-GDOUB	18GA	0.76	25	
Triple	SDS18-GTRIP	18GA	0.9	10	
Single	SDS16-GSING	16GA	0.72	25	
Double	SDS16-GDOUB	16GA	0.88	25	
Triple	SDS16-GTRIP	16GA	1	10	



PIPE HOOK PLAIN STEEL & COPPER COATED

Used to hang pipes from floor joist and eliminate vibration

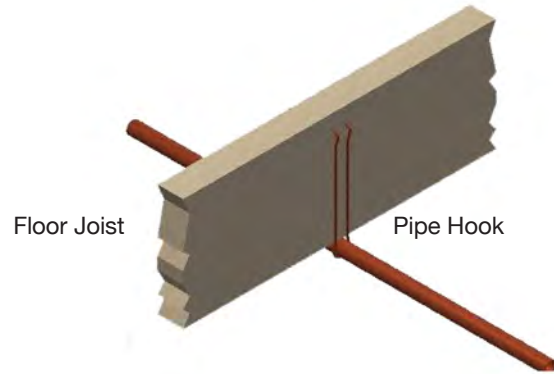
Sizes: 1/2" x 2-1/2" 11GA - 2" x 8" 9GA

- Fast Self Nailing Installation
- Available in Plain Steel and Copper Coated

Material: Steel

Finish: Plain & Copper Coated

SIZE INCHES	ITEM PLAIN	ITEM COPPER COATED	GAUGE SIZE	WEIGHT LBS	PACKAGE QUANTITY	PACKAGE DESCRIPTION
1/2" x 2-1/2"	PH11-ST12212	PH11-CC12212	11GA	0.02	50	
3/4" x 2-1/2"	PH11-ST34212	PH11-CC34212	11GA	0.02	50	
1/2" x 4"	PH11-ST124	PH11-CC124	11GA	0.04	50	
3/4" x 4"	PH11-ST344	PH11-CC344	11GA	0.04	50	
1" x 2-1/2"	PH11-ST1212	PH11-CC1212	11GA	0.04	50	
1" x 4"	PH11-ST14	PH11-CC14	11GA	0.04	50	
1-1/4" x 4"	PH11-ST1144	PH11-CC1144	11GA	0.04	50	
1-1/2" x 4"	PH11-ST1124	PH11-CC1124	11GA	0.04	50	
1/2" x 6"	PH11-ST126	PH11-CC126	11GA	0.04	50	
3/4" x 6"	PH11-ST346	PH11-CC346	11GA	0.04	50	
1" x 6"	PH11-ST16	PH11-CC16	11GA	0.04	50	
1-1/4" x 6"	PH11-ST1146	PH11-CC1146	11GA	0.04	50	
1-1/2" x 6"	PH11-ST1126	PH11-CC1126	11GA	0.04	50	
1/2" x 4"	PH9-ST124	PH9-CC124	9GA	0.04	50	
3/4" x 4"	PH9-ST344	PH9-CC344	9GA	0.04	50	
1" x 4"	PH9-ST14	PH9-CC14	9GA	0.04	50	
1-1/4" x 4"	PH9-ST1144	PH9-CC1144	9GA	0.04	50	
1-1/2" x 4"	PH9-ST1124	PH9-CC1124	9GA	0.04	50	
1/2" x 6"	PH9-ST126	PH9-CC126	9GA	0.04	50	
3/4" x 6"	PH9-ST346	PH9-CC346	9GA	0.04	50	
1" x 6"	PH9-ST16	PH9-CC16	9GA	0.04	50	
1-1/4" x 6"	PH9-ST1146	PH9-CC1146	9GA	0.04	50	
1-1/2" x 6"	PH9-ST1126	PH9-CC1126	9GA	0.04	50	
2" x 6"	PH9-ST26	PH9-CC26	9GA	0.04	50	
1/2" x 8"	PH9-ST128	PH9-CC128	9GA	0.04	50	
3/4" x 8"	PH9-ST348	PH9-CC348	9GA	0.04	50	
1" x 8"	PH9-ST18	PH9-CC18	9GA	0.04	50	
1-1/4" x 8"	PH9-ST1148	PH9-CC1148	9GA	0.04	50	
1-1/2" x 8"	PH9-ST1128	PH9-CC1128	9GA	0.04	50	
2" x 8"	PH9-ST28	PH9-CC28	9GA	0.04	50	



PIPE HOOK PLASTIC COATED

Used to hang pipes from floor joist and eliminate vibration

Sizes: 1-1/2" x 6" 11GA - 2" x 8" 9GA

- Fast self nailing installation
- Available in plastic coated steel

Material: Steel

Finish: Plastic

SIZE INCHES	ITEM PLASTIC COATED	GAUGE SIZE	WEIGHT LBS	PACKAGE QUANTITY	PACKAGE DESCRIPTION
11GA 1/2" x 6"	PH11-P126	11GA 1/2" x 6"	0.02	50	
11GA 3/4" x 6"	PH11-P346	11GA 3/4" x 6"	0.02	50	
11GA 1/2" x 4"	PH11-P124	11GA 1/2" x 4"	0.04	50	
11GA 3/4" x 4"	PH11-P344	11GA 3/4" x 4"	0.04	50	
11GA 1" x 4"	PH11-P14	11GA 1" x 4"	0.04	50	
11GA 1-1/4" x 4"	PH11-P1144	11GA 1-1/4" x 4"	0.04	50	
11GA 1-1/2" x 4"	PH11-P1124	11GA 1-1/2" x 4"	0.04	50	
11GA 1" x 6"	PH11-P16	11GA 1" x 6"	0.04	50	
11GA 1-1/4" x 6"	PH11-P1146	11GA 1-1/4" x 6"	0.04	50	
11GA 1-1/2" x 6"	PH11-P1126	11GA 1-1/2" x 6"	0.04	50	
9GA 1/2" x 4"	PH9-P124	9GA 1/2" x 4"	0.04	50	
9GA 3/4" x 4"	PH9-P344	9GA 3/4" x 4"	0.04	50	
9GA 1" x 4"	PH9-P14	9GA 1" x 4"	0.04	50	
9GA 1-1/4" x 4"	PH9-P1144	9GA 1-1/4" x 4"	0.04	50	
9GA 1-1/2" x 4"	PH9-P1124	9GA 1-1/2" x 4"	0.04	50	
9GA 1/2" x 6"	PH9-P126	9GA 1/2" x 6"	0.04	50	
9GA 3/4" x 6"	PH9-P346	9GA 3/4" x 6"	0.04	50	
9GA 1" x 6"	PH9-P16	9GA 1" x 6"	0.04	50	
9GA 1-1/4" x 6"	PH9-P1146	9GA 1-1/4" x 6"	0.04	50	
9GA 1-1/2" x 6"	PH9-P1126	9GA 1-1/2" x 6"	0.04	50	
9GA 2" x 6"	PH9-P26	9GA 2" x 6"	0.04	50	
9GA 1/2" x 8"	PH9-P128	9GA 1/2" x 8"	0.04	50	
9GA 3/4" x 8"	PH9-P348	9GA 3/4" x 8"	0.04	50	
9GA 1" x 8"	PH9-P18	9GA 1" x 8"	0.04	50	
9GA 1-1/4" x 8"	PH9-P1148	9GA 1-1/4" x 8"	0.04	50	
9GA 1-1/2" x 8"	PH9-P1128	9GA 1-1/2" x 8"	0.04	50	
9GA 2" x 8"	PH9-P28	9GA 2" x 8"	0.04	50	



HEAVY DUTY PIPE STRAPS ZINC PLATED - 2 HOLE

Used for securing pipe commercial applications

- Secures piping around fitting to ensure against excessive vibration
- Used to anchor piping securely to floor or framing member

Sizes: 1/2" 10GA - 4" 3GA

Material: Steel

Finish: Zinc Plated

SIZE INCHES	ITEM ZINC PLATED	GAUGE SIZE	WEIGHT LBS	PACKAGE QUANTITY	PACKAGE DESCRIPTION
1/2"	PPS-ZC12	10GA	0.24	25	
3/4"	PPS-ZC34	10GA	0.24	25	
1"	PPS-ZC1	10GA	0.35	20	
1-1/4"	PPS-ZC114	10GA	0.35	20	
1-1/2"	PPS-ZC112	10GA	0.4	15	
2"	PPS-ZC2	10GA	0.47	15	
2-1/2"	PPS-ZC212	3GA	0.9	10	
3"	PPS-ZC3	3GA	1	10	
4"	PPS-ZC4	3GA	1.5	10	



HEAVY DUTY PIPE STRAPS PLAIN STEEL - 2 HOLE

Used for securing pipe commercial applications

- Secures piping around fitting to ensure against excessive vibration
- Used to anchor piping securely to floor or framing member

Sizes: 1/2" 10GA - 4" 3GA

Material: Steel

Finish: Plain

SIZE INCHES	ITEM PLAIN	GAUGE SIZE	WEIGHT LBS	PACKAGE QUANTITY	PACKAGE DESCRIPTION
1/2"	PPS-ST12	10GA	0.24	25	
3/4"	PPS-ST34	10GA	0.24	25	
1"	PPS-ST1	10GA	0.35	20	
1-1/4"	PPS-ST114	10GA	0.35	20	
1-1/2"	PPS-ST112	10GA	0.4	15	
2"	PPS-ST2	10GA	0.47	15	
2-1/2"	PPS-ST212	3GA	0.9	10	
3"	PPS-ST3	3GA	1	10	
4"	PPS-ST4	3GA	1.5	10	



PIPE STRAPS STAINLESS STEEL - 2 HOLE

Supports pipe lines running next to walls or beams

- Secures piping around fitting to ensure against excessive vibration
- Stainless Pipe Straps add additional protection against corrosion

Sizes: 1/4" 10GA - 4" 3GA

Material: Stainless Steel

Finish: Stainless Steel

SIZE INCHES	ITEM STAINLESS STEEL	GAUGE SIZE	WEIGHT LBS	PACKAGE QUANTITY	PACKAGE DESCRIPTION
1/4"	PPS-SS14	10GA	0.01	10	
3/8"	PPS-SS38	10GA	0.01	10	
1/2"	PPS-SS12	10GA	0.01	10	
3/4"	PPS-SS34	10GA	0.01	10	
1"	PPS-SS1	10GA	0.03	10	
1-1/4"	PPS-SS114	10GA	0.03	10	
1-1/2"	PPS-SS112	10GA	0.03	10	
2"	PPS-SS2	10GA	0.04	10	
2-1/2"	PPS-SS212	3GA	0.08	5	
3"	PPS-SS3	3GA	1.00	5	
4"	PPS-SS3	3GA	1.40	5	



PIPE STRAPS GALVANIZED - 2 HOLE

Supports pipe lines running next to walls or beams

- Secures piping around fitting to ensure against excessive vibration
- Used to anchor piping securely to floor or framing member

Sizes: 1/4" 24GA - 8" 16GA

Material: Steel

Finish: Galvanized

Approvals: UL, FM, Certified models available in 3/4"- 4"

SIZE INCHES	ITEM GALVANIZED	ITEM GALVANIZED UL/FM CERTIFIED	GAUGE SIZE	WEIGHT LBS	PACKAGE QUANTITY	PACKAGE DESCRIPTION
1/4"	PPS-G14		24GA	0.01	200	
3/8"	PPS-G38		24GA	0.02	200	
1/2"	PPS-G12		24GA	0.01	100	
3/4"	PPS-G34	PPS-G34F	20GA	0.03	100	
1"	PPS-G1	PPS-G1F	20GA	0.04	100	
1-1/4"	PPS-G114	PPS-G114F	20GA	0.06	50	
1-1/2"	PPS-G112	PPS-G112F	20GA	0.04	50	
2"	PPS-G2	PPS-G2F	16GA	0.16	50	
2-1/2"	PPS-G212	PPS-G212F	16GA	0.40	25	
3"	PPS-G3	PPS-G3F	16GA	0.50	10	
4"	PPS-G4	PPS-G4F	16GA	0.40	10	
6"	PPS-G6		16GA	0.50	10	
8"	PPS-G8		16GA	0.50	10	



PIPE STRAPS PLASTIC COATED - 2 HOLE

Supports pipe lines running next to walls or beams

Sizes: 1/2" 22GA - 4" 16GA

Material: Steel, Plastic

Finish: Galvanized, Black Plastic

SIZE INCHES	ITEM PLASTIC COATED	GAUGE SIZE	WEIGHT LBS	PACKAGE QUANTITY	PACKAGE DESCRIPTION
1/2"	PPS-P12	22GA	0.01	100	
3/4"	PPS-P34	22GA	0.03	100	
1"	PPS-P1	20GA	0.04	100	
1-1/4"	PPS-P114	18GA	0.06	50	
1-1/2"	PPS-P112	18GA	0.04	25	
2"	PPS-P2	18GA	0.16	50	
2-1/2"	PPS-P212	16GA	0.40	25	
3"	PPS-P3	16GA	0.50	25	
4"	PPS-P4	16GA	0.40	10	



PIPE STRAPS SOLID COPPER - 2 HOLE

Supports pipe lines running next to walls or beams

Sizes: 1/8" 24GA - 2" 24GA

Material: Solid Copper

Finish: Copper

SIZE INCHES	ITEM SOLID COPPER	GAUGE SIZE	WEIGHT LBS	PACKAGE QUANTITY	PACKAGE DESCRIPTION
1/8"	PPS-SC18	24GA	0.01	100	
1/4"	PPS-SC14	24GA	0.01	100	
3/8"	PPS-SC38	24GA	0.01	100	
1/2"	PPS-SC12	24GA	0.02	100	
3/4"	PPS-SC34	24GA	0.01	100	
1"	PPS-SC1	24GA	0.01	100	
1-1/4"	PPS-SC114	24GA	0.01	100	
1-1/2"	PPS-SC112	24GA	0.02	100	
2"	PPS-SC2	24GA	0.02	100	



PIPE STRAPS COPPER COATED - 2 HOLE

Supports pipe lines running next to walls or beams

Sizes: 1/4" 22GA - 2" 22GA

Material: Steel

Finish: Copper Coated

SIZE INCHES	ITEM COPPER COATED	GAUGE SIZE	WEIGHT LBS	PACKAGE QUANTITY	PACKAGE DESCRIPTION
1/4"	PPS-CC14	22GA	0.01	200	
3/8"	PPS-CC38	22GA	0.01	100	
1/2"	PPS-CC12	22GA	0.01	100	
3/4"	PPS-CC34	22GA	0.03	100	
1"	PPS-CC1	22GA	0.04	50	
1-1/4"	PPS-CC114	22GA	0.04	50	
1-1/2"	PPS-CC112	22GA	0.04	50	
2"	PPS-CC2	22GA	0.04	50	



HEAVY DUTY PIPE STRAPS GALVANIZED STEEL - 1 HOLE

Supports pipe lines running next to walls or beams

- Secures piping around fitting to ensure against excessive vibration
- Used to anchor piping securely to floor or framing member

Sizes: 1/4" 14GA - 4" 14GA

Material: Steel

Finish: Galvanized

SIZE INCHES	ITEM STAINLESS STEEL	GAUGE SIZE	WEIGHT LBS	PACKAGE QUANTITY	PACKAGE DESCRIPTION
1/4"	PPS1-G14	14GA	0.1	100	
3/8"	PPS1-G38	14GA	0.1	100	
1/2"	PPS1-G12	14GA	0.1	100	
3/4"	PPS1-G34	14GA	0.1	100	
1"	PPS1-G1	14GA	0.1	100	
1-1/4"	PPS1-G114	14GA	0.1	100	
1-1/2"	PPS1-G112	14GA	0.1	100	
2"	PPS1-G2	14GA	0.1	100	
2-1/2"	PPS1-G212	14GA	0.1	100	
3"	PPS1-G3	14GA	0.1	100	
4"	PPS1-G4	14GA	0.1	100	



FLAT TUBE NAILER COPPER PLATED

Used for securing pipe against floor joist or framing member

- Fast and easy Installation

Sizes: 1/2" - 3/4" 13GA

Material: Steel

Finish: Copper Plated

SIZE INCHES	ITEM ZINC PLATED	GAUGE SIZE	WEIGHT LBS	PACKAGE QUANTITY	PACKAGE DESCRIPTION
1/2" - 3/4"	FTN13-CC1234	13GA	0.02	100	

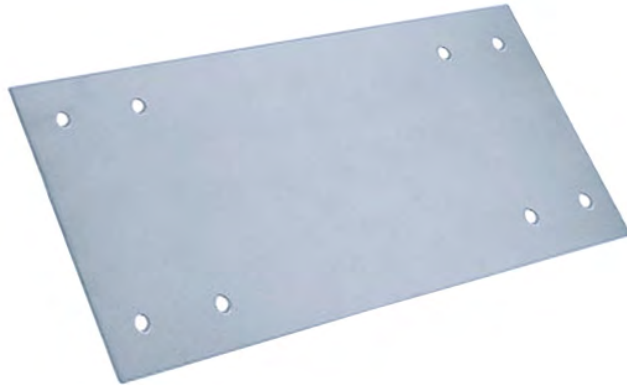


Plate Straps are also referred to as Safety Plates or Nail Plates

How To Order:

Be sure to specify which hole pattern you want. Indicate the Part Number followed by the Hole Pattern.

EXAMPLE

PST16-31218-804

Part Number Hole Pattern

PLATE STRAPS GALVANIZED

SIZE INCHES	ITEM GALVANIZED	HOLE PATTERN CODE	GAUGE SIZE	WEIGHT LBS	PACKAGE QUANTITY
1-1/2" x 3"	PST18-1123-101	101	18GA	7 lbs	100
1-1/2" x 6"	PST18-1126-101	101	18GA	13 lbs	50
1-1/2" x 9"	PST18-1129-402	402	18GA	10 lbs	50
1-1/2" x 12"	PST18-11212-402	402	18GA	13 lbs	50
1-1/2" x 18"	PST18-11218-301	301	18GA	17 lbs	50
1-1/2" x 24"	PST18-11224-402	402	18GA	19 lbs	50
3" x 6"	PST18-36-403	403	18GA	26 lbs	25
3" x 9"	PST18-39-403	403	18GA	13 lbs	25
3" x 12"	PST18-312-403	403	18GA	20 lbs	25
3" x 18"	PST18-318-802	802	18GA	13 lbs	25
3" x 18"	PST18-318-403	403	18GA	XX lbs	25
3" x 24"	PST18-324-802	802	18GA	17 lbs	25
1-1/2" x 3"	PST16-1123-101	101	16GA	7 lbs	100
1-1/2" x 6"	PST16-1126-101	101	16GA	13 lbs	100
1-1/2" x 6"	PST16-1126-302	302	16GA	10 lbs	100
1-1/2" x 9"	PST16-1129-302	302	16GA	13 lbs	50
1-1/2" x 9"	PST16-1129-402	402	16GA	17 lbs	50
1-1/2" x 9"	PST16-1129-602	602	16GA	19 lbs	50
1-1/2" x 12"	PST16-11212-302	302	16GA	26 lbs	50
1-1/2" x 12"	PST16-11212-602	602	16GA	13 lbs	50
1-1/2" x 18"	PST16-11218-302	302	16GA	20 lbs	50
1-1/2" x 18"	PST16-11218-402	402	16GA	13 lbs	50
1-1/2" x 18"	PST16-11218-602	602	16GA	17 lbs	50
1-1/2" x 18"	PST16-11218-802	802	16GA	20 lbs	50
1-1/2" x 24"	PST16-11224-602	602	16GA	13 lbs	50
1-1/2" x 36"	PST16-11236-802	802	16GA	17 lbs	50

Sizes: 1/2" x 3" 18GA
- 3" x 9" 12GA

Material: Steel

Finish: Galvanized

PLATE STRAPS GALVANIZED continued

SIZE INCHES	ITEM GALVANIZED	HOLE PATTERN CODE	GAUGE SIZE	WEIGHT LBS	PACKAGE QUANTITY
3-1/2" x 6"	PST16-3126-102	102	16GA	8 lbs	25
3-1/2" x 12"	PST16-31212-606	606	16GA	16 lbs	25
3-1/2" x 12"	PST16-31212-801	801	16GA	12 lbs	25
3-1/2" x 12"	PST16-31212-803	803	16GA	16 lbs	25
3-1/2" x 18"	PST16-31218-801	801	16GA	21 lbs	25
3" x 6" 1	PST16-36-101	101	16GA	23 lbs	50
3" x 9"	PST16-39-305	305	16GA	31 lbs	50
3" x 12"	PST16-312-307	307	16GA	16 lbs	25
3" x 12"	PST16-312-604	604	16GA	23 lbs	25
3" x 18"	PST16-318-305	305	16GA	15 lbs	25
3" x 18"	PST16-318-801	801	16GA	21 lbs	25
3" x 18"	PST16-318-807	807	16GA	XX lbs	25
3" x 24"	PST16-324-610	610	16GA	31 lbs	25
3" x 36"	PST16-336-610	610	16GA	9 lbs	25
5" x 6"	PST16-56-803	803	16GA	14 lbs	25
5" x 8"	PST16-58-607	607	16GA	18 lbs	25
5" x 8"	PST16-58-613	613	16GA	26 lbs	25
5" x 12"	PST16-512-803	803	16GA	36 lbs	25
5" x 12"	PST16-512-804	804	16GA	13 lbs	25
5" x 18"	PST16-518-203	203	16GA	17 lbs	15
5" x 18"	PST16-518-306	306	16GA	19 lbs	15
5" x 18"	PST16-518-803	803	16GA	26 lbs	15
5" x 18"	PST16-518-804	804	16GA	35 lbs	15
5" x 18"	PST16-518-807	807	16GA	XX lbs	15
6" x 6"	PST16-66-605	605	16GA	37 lbs	25
6" x 6"	PST16-66-609	609	16GA	52 lbs	25
6" x 12"	PST16-612-609	609	16GA	16 lbs	25
6" x 18"	PST16-618-609	609	16GA	23 lbs	15
10" x 6"	PST16-1006-501	501	16GA	31 lbs	25
10" x 9"	PST16-1009-803	803	16GA	28 lbs	25
10" x 12"	PST16-1012-803	803	16GA	37 lbs	25
10" x 12"	PST16-1012-804	804	16GA	26 lbs	25
10" x 18"	PST16-1018-803	803	16GA	39 lbs	25
10" x 24"	PST16-1024-803	803	16GA	37 lbs	15
1-1/2" x 9"	PST12-1129-402	402	12GA	52 lbs	50
3" x 9"	PST12-39-610	610	12GA	16 lbs	25

Sizes: 1-1/2" x 3 - 10" x 24"

Material: Steel

Finish: Galvanized

PLATE STRAP HOLE PATTERNS

Used to reinforce floor or ceiling joists that have been cut for pipes passing through a stud

Plate Straps are also referred to as Safety Plates or Nail Plates



How To Order:

Be sure to specify which hole pattern you want. Indicate the Part Number followed by the Hole Pattern.

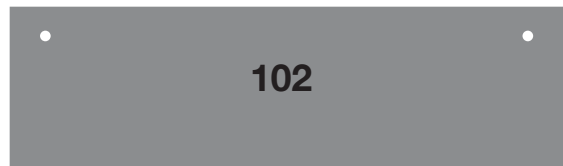
EXAMPLE

PST16-31218-804

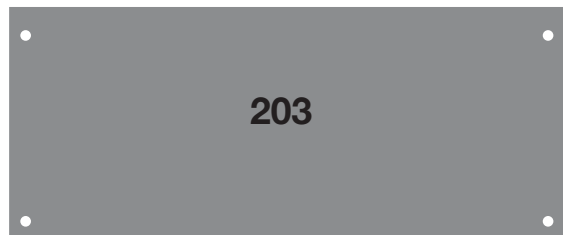
Part Number Hole Pattern



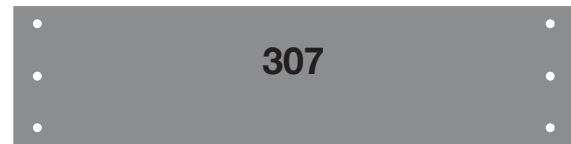
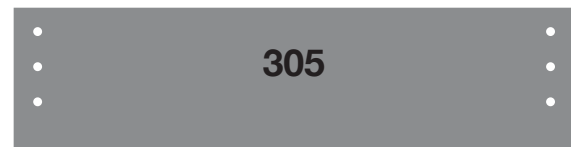
101 Plate has 1 hole on each end



200 Series has 2 holes on each end in multiple patterns



300 Series has 3 holes on each end in multiple patterns



400 Series has 4 holes on each end in multiple patterns



501 Plate has 5 holes on each end, located at the top of the plate

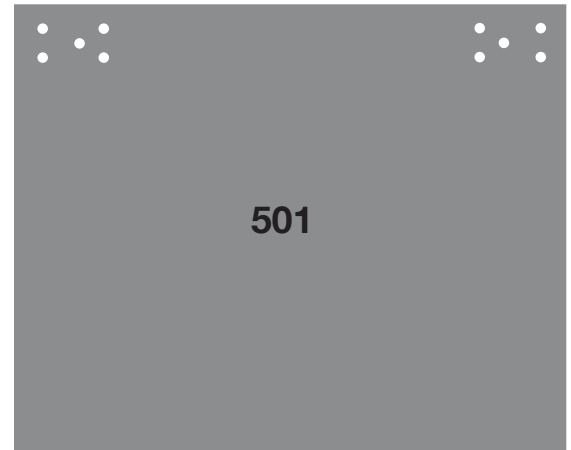
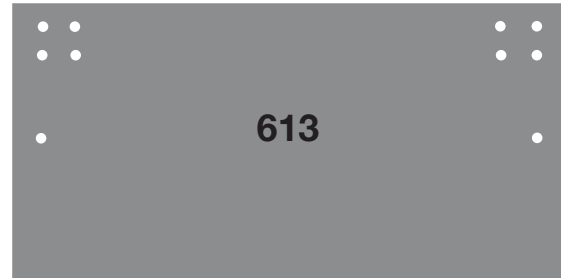
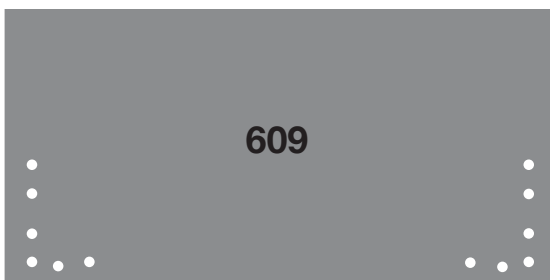
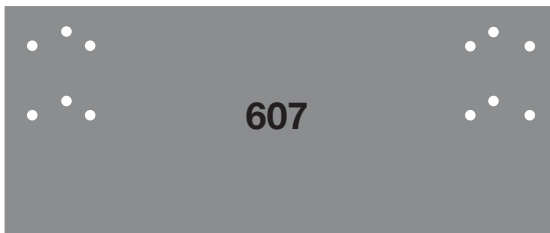
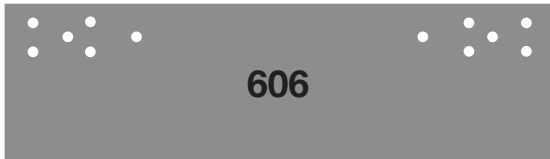
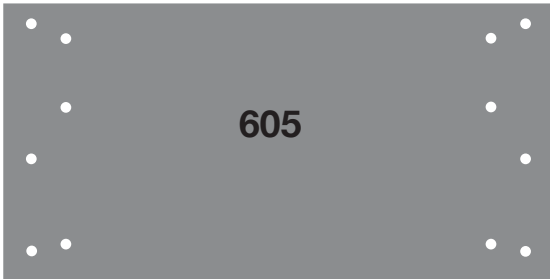
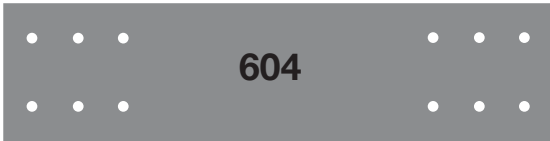
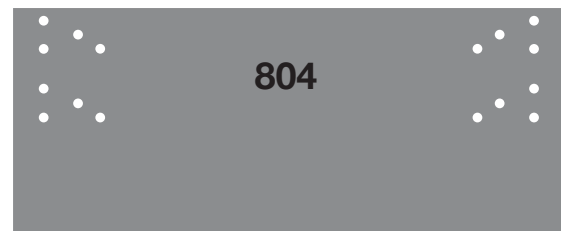
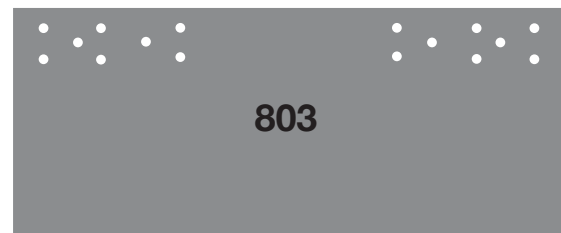
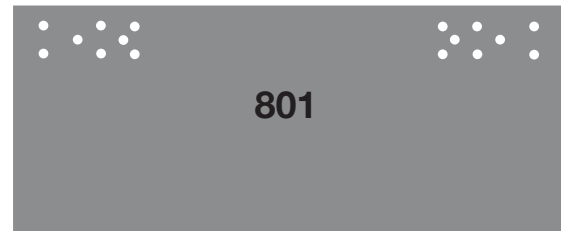


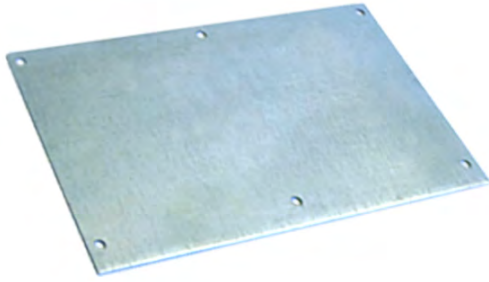
PLATE STRAP HOLE PATTERNS

600 Series has 6 holes on each end in multiple patterns



800 Series has 8 holes on each end in multiple patterns





BOCA PLATE GALVANIZED - 16 GAUGE

Used to provide protection for pipes from nails or screws

- Used for Cold Formed steel stud construction using proper fasteners
- Meet the protective requirements of the building code

Sizes: 5" x 4" 16GA - 6" x 8" 16GA

Material: Steel

Finish: Galvanized

SIZE INCHES	ITEM GALVANIZED	GAUGE SIZE	WEIGHT LBS	PACKAGE QUANTITY	PACKAGE DESCRIPTION
5" x 4"	MP16-G54	16GA	0.72	25	
5" x 5"	MP16-G55	16GA	0.76	25	
5" x 6"	MP16-G56	16GA	0.76	25	
5" x 7"	MP16-G57	16GA	0.72	25	
5" x 8"	MP16-G58	16GA	0.76	25	
5" x 9"	MP16-G59	16GA	0.76	25	
5" x 12"	MP16-G512	16GA	0.72	15	
5" x 16"	MP16-G516	16GA	0.76	15	
5" x 18"	MP16-G518	16GA	0.72	15	
6" x 6"	MP16-G66	16GA	0.76	15	
6" x 8"	MP16-G68	16GA	0.76	15	



SELF NAILING PLATE STRAPS GALVANIZED - 16 GAUGE

Used to provide protection for pipes from nails or screws

- Used for Cold Formed steel stud construction using proper fasteners
- Self Nailing feature promises fast and hands free installation
- Meet the protective requirements of the building code

Sizes: 3-1/2" x 6" 16GA - 5" x 8" 16GA

Material: Steel

Finish: Galvanized

SIZE INCHES	ITEM GALVANIZED	GAUGE SIZE	WEIGHT LBS	PACKAGE QUANTITY	PACKAGE DESCRIPTION
3-1/2" x 6"	MPS16-G3126	16GA	0.76	25	
5" x 4"	MPS16-G54	16GA	0.76	25	
5" x 8"	MPS16-G58	16GA	0.76	25	



HALF CLAMP WITH NAIL

Supports pipe lines running next to walls or beams

- Durable polyethylene construction grip friction ring
- Tubing is not damaged if anchor is over driven

Sizes: 1/2" - 1"

Material: Polyethylene

Finish: Black

SIZE INCHES	ITEM PLASTIC	WEIGHT LBS	INNER BOX	MASTER BOX	PACKAGE DESCRIPTION
1/2"	HC012	0.02	50	2000	
3/4"	HC034	0.01	50	1500	
1"	HC001	0.03	50	1000	



FULL CLAMP WITH NAIL

Supports pipe lines running next to walls or beams

- Durable polyethylene construction grip friction ring
- Tubing is not damaged if anchor is over driven

Sizes: 1/2" - 1"

Material: Polyethylene

Finish: Black

SIZE INCHES	ITEM PLASTIC	WEIGHT LBS	INNER BOX	MASTER BOX	PACKAGE DESCRIPTION
1/2"	PS012	0.01	50	2000	
3/4"	PS034	0.02	50	1500	
1"	PS001	0.01	50	1000	



PLASTIC BEND SUPPORT

Supports pipe lines running next to walls or beams

- Plastic with Nail Tab
- Bends Flexible pipe

Sizes: 1/2" - 3/4"

Material: Plastic

Finish: Black

SIZE INCHES	ITEM PLASTIC	WEIGHT LBS	INNER BOX	MASTER BOX	PACKAGE DESCRIPTION
1/2"	PBS012	0.01	10	400	
3/4"	PBS034	0.01	10	200	



SUSPENSION CLAMP - 2 HOLE

Supports pipe lines running next to walls or beams

- Plastic 2-hole pipe clamps
- Isolates tubing from framing

Sizes: 1/2" - 2"

Material: Plastic

Finish: Gray

SIZE INCHES	ITEM PLASTIC	WEIGHT LBS	INNER BOX	MASTER BOX	PACKAGE DESCRIPTION
1/2"	SC012	0.01	50	2000	
3/4"	SC034	0.01	50	1000	
1"	SC001	0.01	50	800	
1-1/4"	SC114	0.03	50	500	
1-1/2"	SC112	0.04	50	400	
2"	SC002	0.04	50	400	



STANDARD PIPE CLAMP - 2 HOLE

Supports pipe lines running next to walls or beams

- Plastic 2-hole pipe clamps
- Isolates tubing from framing

Sizes: 1/2" - 2"

Material: Plastic

Finish: Gray

SIZE INCHES	ITEM PLASTIC	WEIGHT LBS	INNER BOX	MASTER BOX	PACKAGE DESCRIPTION
1/2"	PC012	0.01	50	1500	
3/4"	PC034	0.01	50	1200	
1"	PC001	0.01	50	1000	
1-1/4"	PC114	0.03	25	800	
1-1/2"	PC112	0.04	25	600	
2"	PC002	0.04	25	400	



METAL STUD INSULATOR

Supports pipe lines running next to walls or beams

- Reduces noise from tubing expansion
- Supports copper, PEX, CPVC, PB tubing through metal studs
- For use on metal studs 18GA or lighter

Sizes: 1/2" - 1"

Material: Polyethylene

Finish: Red

SIZE INCHES	ITEM PLASTIC	WEIGHT LBS	INNER BOX	MASTER BOX	PACKAGE DESCRIPTION
1/2"	MSI012	0.02	50	1600	
3/4"	MSI034	0.01	50	1600	
1"	MSI001	0.03	50	2000	

PIPE INSULATOR CAP



Supports pipe lines running next to walls or beams

- Plastic pipe insulators
- Isolates supply tubing from wood framing

Sizes: 1/2" - 1"

Material: Polyethylene

Finish: Gray

SIZE INCHES	ITEM PLASTIC	WEIGHT LBS	INNER BOX	MASTER BOX	PACKAGE DESCRIPTION
1/2"	PIC012	0.01	50	400	
3/4"	PIC034	0.02	50	400	
1"	PIC001	0.01	50	400	



J-HOOK WITH NAIL

Supports pipe lines running next to walls or beams

- Plastic J-Hooks
- Includes nails

Sizes: 1/2" - 4"

Material: Plastic

Finish: White

SIZE INCHES	ITEM PLASTIC	WEIGHT LBS	INNER BOX	MASTER BOX	PACKAGE DESCRIPTION
1/2"	JH012	0.01	10	400	
3/4"	JH034	0.01	10	200	
1-1/2"	JH112	0.01	10	400	
2"	JH002	0.01	10	200	
3"	JH003	0.01	10	400	
4 "	JH004	0.01	10	200	

FOR WOOD

- **SAMMYS FOR WOOD**
VERTICAL APPLICATION
- **SIDEWINDER FOR WOOD**
HORIZONTAL APPLICATION
- **SAMMYS SWIVEL HEAD FOR WOOD**
SWIVEL APPLICATION

FOR STEEL

- **SAMMYS FOR STEEL**
VERTICAL APPLICATION
- **SIDEWINDER FOR STEEL**
HORIZONTAL APPLICATION
- **SAMMYS SWIVEL HEAD FOR STEEL**
SWIVEL APPLICATION

FOR CONCRETE

- **SAMMYS FOR CONCRETE**
VERTICAL APPLICATION
- **SIDEWINDER FOR CONCRETE**
HORIZONTAL APPLICATION
- **SAMMYS SWIVEL HEAD**
SWIVEL APPLICATION





www.piersmfg.com

info@piersmfg.com

Sales & Support

Everflow Supplies Inc.

Carteret NJ 07008
T: 908.436.1100
F: 908.436.1162
sales@everflowsupplies.com

Distribution

Eastern Region

100 Middlesex Ave.
Carteret NJ 07008

Midwest Region

150 S. Fairbank St.
Addison, Illinois 60101

South Central & Western Region

2300 E. Bardin Rd.
Arlington, Texas 76018

www.everflowsupplies.com/piers

HANGERS | CLAMPS | ACCESSORIES

P0618V2

